

TGS-0008CA

8 10/100/1000T EN50155 Ethernet Switch

- Dual power inputs 16.8~56V (24TV model)
- Wide Operating Temperature from -40°C to 75°C
- IP54/IP41 Aluminum housing for best heat dissipation and preventing moist ingress
- EN50155/50121-3-2/50121-4 and EN45545-2 Fire & Smoke verification



OVERVIEW

Lantech TGS-0008CA is an 8 10/100/1000 Base-T with M12-connectors EN50155 unmanaged Ethernet switch with IP54/IP41 rated protection which meets the high reliability requirements demanded by industrial rolling stock applications.

Rugged design with extended working temperature

The TGS-0008CA is designed to meet with critical network environment with IP54 enclosure and M12 connectors for

protection against dust and water. It has passed harsh environmental testing to comply with Industrial EMI and Safety standards as well as stability testing such as Free fall, Shock, and vibration.

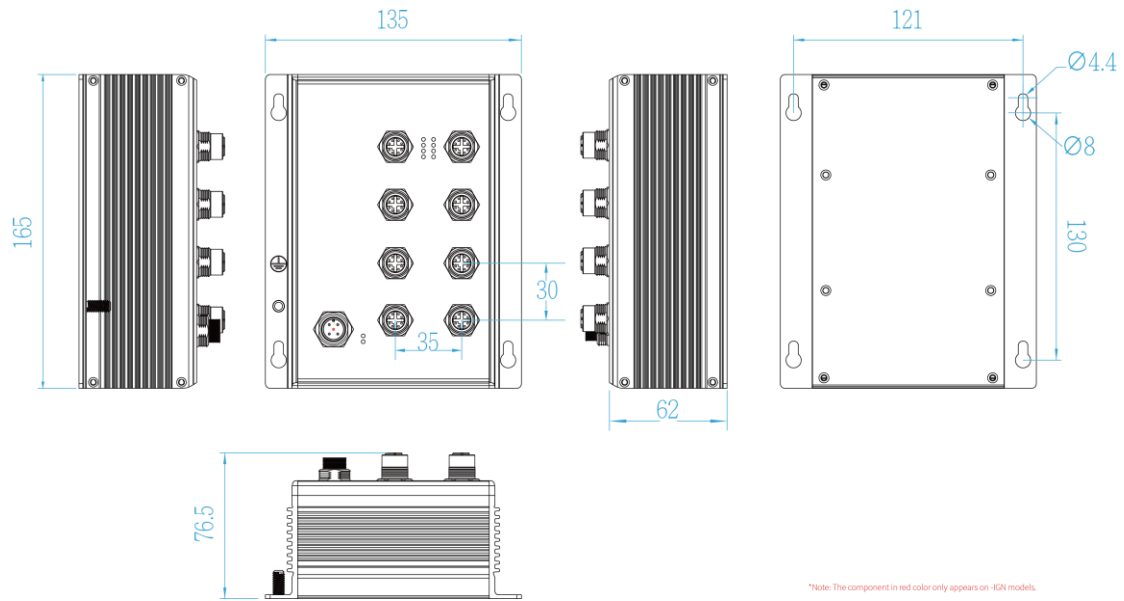
For a greater flexibility in application the TGS-0008CA supports an extended operating temperature range from -40°C to 75°C.

FEATURES & BENEFITS

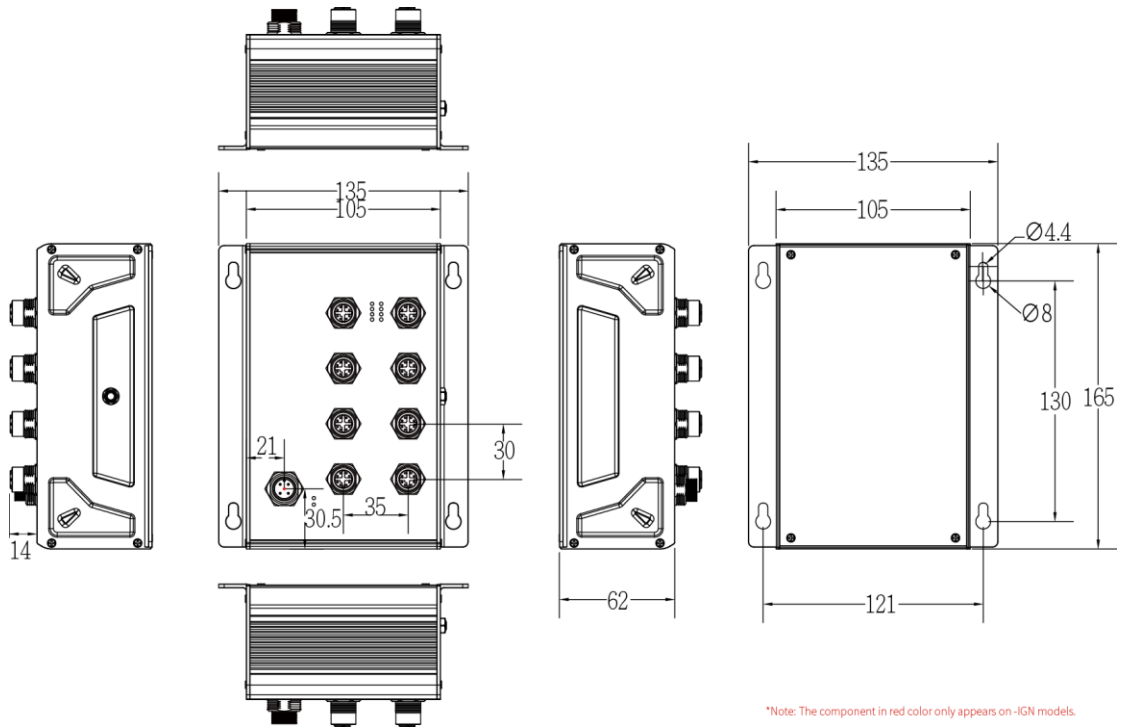
- 8 10/100/1000T EN50155 Unmanaged Ethernet Switch with M12 connectors and IP54 rated protection
- Back-plane (Switching Fabric): 16 Gbps
- 8K MAC address table
- Wide Operating Temperature (-40°C ~75°C)
- Din rail** and wall mount design
- EN50155/50121-3-2/50121-4 and EN45545-2 Fire & Smoke verification

DIMENSIONS (unit=mm)

IP54 model



IP41 model



SPECIFICATIONS

Hardware Specification		Weight	700g
IEEE Standard	IEEE802.3 10BASE-T Ethernet IEEE802.3u 100BASE-T Ethernet IEEE802.3ab 1000Base-T IEEE802.3x Flow Control and Back Pressure	Installation	Wall Mount Design
Transfer Rate	14,880pps for Ethernet port 148,800pps for Fast Ethernet port	EMC	FCC Class A, CE EN55011, CE EN61000-4-2 (ESD), CE EN61000-4-3 (RS), CE EN61000-4-4 (EFT), CE EN61000-4-5 (Surge), CE EN61000-4-6 (CS), CE EN61000-4-8 (Magnetic Field), CE EN61000-6-2, CE EN61000-6-4, CE EN55032, CE EN55024 BS EN61000-4-2, BS EN61000-4-3, BS EN61000-4-4, BS EN61000-4-5, BS EN61000-4-6, BS EN61000-4-8, BS EN55032, BS EN55024
Mac Address	8K MAC address table	Stability Testing	EN61373 (Shock and Vibration)
Connector	10/100/1000T: 8 x M12, 8-pole X-coded, Female with auto MDI/MDI-X function Power connector: 1 x M12, 4-pole A coded, Male	Verifications & Report	EN50155/EN50121-3-2/EN50121-4 verification EN 45545-1, EN 45545-2 Fire & Smoke verification
LED	Per unit: Power 1 (Green), Power 2 (Green), Ethernet: Link/Activity (Green)	MTBF	1,245,229 Hrs (IEEE 62830 standards)
Power Supply	Dual input 16.8~56VDC (24TV model)	Warranty	5 years
Power Consumption	5W (24TV model)		
Operating Humidity	5% to 95% (Non-condensing)		
Operating Temperature	-40°C ~ 75°C (-40°F ~ 167°F)		
Storage Temperature	-40°C ~ 85°C (-40°F ~ 185°F)		
Case Dimension	Aluminum case, 135mm(W)x165mm(H)x76.5mm(D) (IP54 model) 135mm(W)x165mm(H)x76mm(D) (IP41 model)		

**Optional

ORDERING INFORMATION

All model packages include M12 caps and wall mount bracket. All standard models are non-coating, optional coating models are available with -C model name.

- **TGS-0008CA-54-24TV.....P/N: 8351-58711**
8 10/100/1000T IP54 rated EN50155 unmanaged Ethernet Switch w/M12 connectors; 16.8~56VDC dual power inputs; -40°C to 75°C
- **TGS-0008CA-41-24TV.....P/N: 8351-58741**
8 10/100/1000T IP41 rated EN50155 unmanaged Ethernet Switch w/M12 connectors; 16.8~56VDC dual power inputs; -40°C to 75°C

OPTIONAL ACCESSORIES

M12 Connector & Cable

Connector

- **ECON120005PF** 5 pin M12 (Female) A-coded 180 degree crimp type connector for power supply
- **ECONM12-04A(F)-C-180** 4 pin M12 (Female) A-coded 180 degree crimp type connector for power supply
- **ECONM12-08X(M)-SPEEDCON** 8 pin M12 (Male) X-coded 180 degree crimp type connector for data, Ethernet CAT6A (10G), shielded, SPEEDCON

Cable

- **ECONM12-5P(F)70CM CABLE** 5 pin M12 (Female) A-coded 90 degree cable for power supply, 70cm
- **ECONM12-4P(F)1.5M CABLE** 4 pin M12 (Female) A-coded 90 degree cable for power supply, 150cm
- **ECABM12X83MSTP** 8 pin M12 (Male) X-coded 180 degree RJ45 STP cable for data, shielded, 300cm

Lantech Communications Global Inc.

www.lantechcom.tw
info@lantechcom.tw

© 2023 Copyright Lantech Communications Global Inc. all rights reserved.
The revise authority rights of product specifications belong to Lantech Communications Global Inc.
In a continuing effort to improve and advance technology, product specifications are subject to change without notice.