

# T(P)GS-0006CA

## 6 10/100/1000T (w/4 PoE at/af) Industrial Ethernet Switch

- IEEE802.3at/af up to 30W PoE output (For PoE Model)
- Dual power inputs 9~36V (24V model)
- Wide Operating Temperature from -40°C to 75°C
- IP54/IP41 Aluminum housing for best heat dissipation and preventing moist ingress
- E-marking certificate for vehicle application (24V model)
- ITxPT labeled w/ ignition function (24V-IGN model)



## OVERVIEW

Lantech T(P)GS-0006CA-4 is an 6 10/100/1000 Base-T with M12-connectors industrial unmanaged Ethernet switch with IP54/IP41 rated protection which meets the high reliability requirements demanded by industrial vehicle applications.

### ***E-marking certificate, ITxPT; ISO 7637-2 compliant and extended working temperature***

The T(P)GS-0006CA-4 is designed to meet with critical network environment with IP54 enclosure and M12 connectors for protection against dust and water. It has passed harsh environmental testing to comply with Industrial EMI and Safety standards as well as stability testing such as Free fall, Shock, and vibration. It is labeled with ITxPT public transport standards

and also compliant with ISO 7637-2 which protects switch from being damaged by high voltage that could be found at vehicle cranky start.

For a greater flexibility in application the T(P)GS-0006CA-4 supports an extended operating temperature range from -40°C to 75°C.

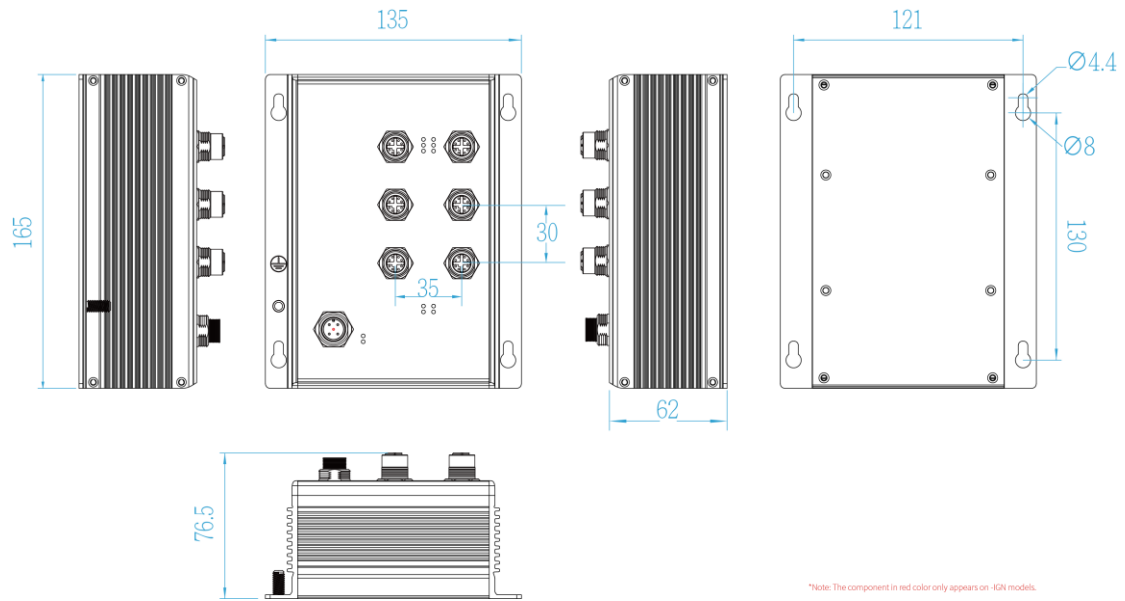
The E-marking certificate makes it the most suitable switch for bus, carriage, other vehicles application as well as for industrial areas where the power source is limited with 12V or 24V but has demand of IP surveillance or VoIP applications.

## FEATURES & BENEFITS

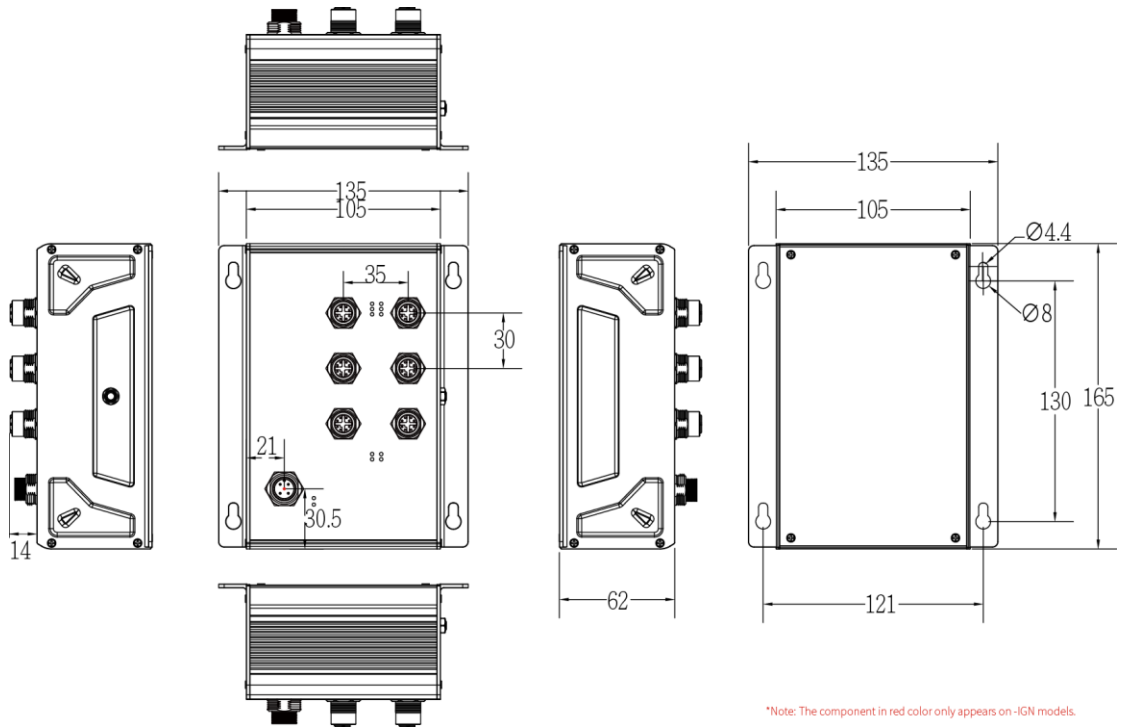
- 6 10/100/1000T Industrial Unmanaged Ethernet Switch with M12 connectors and IP54/IP41 rated protection
- Supports IEEE802.3at/af feeding power up to 30W per PoE port (For PoE Model)
- Back-plane (Switching Fabric): 12 Gbps
- 8K MAC address table
- Wide Operating Temperature (-40°C ~75°C)
- Din rail\*\* and wall mount design
- E-marking certificate for vehicle application (24V model)
- ITxPT labeled w/ ignition function (24V-IGN model)

**DIMENSIONS (unit=mm)**

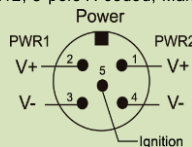

**IP54 model**



**IP41 model**



**SPECIFICATIONS**

Hardware Specification		Power Budget	Total 100W @ 24VDC and above Higher PoE budget can be applied upon request. ** <b>Note: This is a non-PoE galvanic isolated model.</b>
IEEE Standard	IEEE802.3 10BASE-T Ethernet IEEE802.3u 100BASE-T Ethernet IEEE802.3ab 1000Base-T IEEE802.3x Flow Control and Back Pressure IEEE802.3at/af Power over Ethernet (For PoE Model)	Operating Humidity	5% to 95% (Non-condensing)
Transfer Rate	14,880pps for Ethernet port 148,800pps for Fast Ethernet port	Operating Temperature	-40°C ~ 75°C (-40°F ~ 167°F)
Mac Address	8K MAC address table	Storage Temperature	-40°C ~ 85°C (-40°F ~ 185°F)
Connector	10/100/1000T: 6 x M12, 8-pole X-coded, Female with auto MDI/MDI-X function Power connector: 1 x M12, 4-pole A coded, Male 1 x M12, 5-pole A-coded, Male (-IGN model) 	Case Dimension	Aluminum case, 135mm(W)x165mm(H)x76.5mm(D) (IP54 model) 135mm(W)x165mm(H)x76mm(D) (IP41 model)
Rotary Switch	Rotary switch for delay time configuration (-24V-IGN model)	Weight	700g
LED	Per unit: Power 1 (Green), Power 2 (Green), Ethernet: Link/Activity (Green) PoE: (Green)	Installation	Wall Mount Design
PoE pin assignment	M12 port # 1~ # 4 support IEEE 802.3at/af Endpoint. Per port provides up to 30W 10/100/1000T  1:TXD1+ 5:BiD4+ 2:TXD1- 6:BiD4- 3:RXD2+ 7:BiD3- 4:RXD2- 8:BiD3+	EMC	FCC Class A, CE EN55011, CE EN61000-4-2 (ESD), CE EN61000-4-3 (RS), CE EN61000-4-4 (EFT), CE EN61000-4-5 (Surge), CE EN61000-4-6 (CS), CE EN61000-4-8 (Magnetic Field), CE EN61000-6-2, CE EN61000-6-4, CE EN55032, CE EN55024 BS EN61000-4-2, BS EN61000-4-3, BS EN61000-4-4, BS EN61000-4-5, BS EN61000-4-6, BS EN61000-4-8, BS EN55032, BS EN55024
Power Supply	Dual input 9~36VDC (24V model)	Stability Testing	EN61373 (Shock and Vibration)
Power Consumption	5W without PoE load (24V model)	Vehicle certificate	E13 marking (24V model) ITxPT labeled (24V-IGN model)
		MTBF	TBD
		Warranty	5 years

\*\*Optional

**ORDERING INFORMATION**

All model packages include M12 caps and wall mount bracket. All standard models are non-coating, optional coating models are available with -C model name.

- **TPGS-0006CA-4-54-24V.....P/N: 8351-1371**  
6 10/100/1000T w/4 PoE at/af Industrial Ethernet Switch IP54 rated w/M12 connectors; 9~36VDC dual power inputs; E-marking certified; -40°C to 75°C
- **TPGS-0006CA-4-54-24V-IGN.....P/N: 8351-1372**  
6 10/100/1000T w/4 PoE at/af Industrial Ethernet Switch IP54 rated w/M12 connectors; 9~36VDC dual power inputs; E-marking and ITxPT certified; -40°C to 75°C w/ignition
- **TPGS-0006CA-4-41-24V.....P/N: 8351-1374**  
6 10/100/1000T w/4 PoE at/af Industrial Ethernet Switch IP41 rated w/M12 connectors; 9~36VDC dual power inputs; E-marking certified; -40°C to 75°C
- **TPGS-0006CA-4-41-24V-IGN.....P/N: 8351-1375**  
6 10/100/1000T w/4 PoE at/af Industrial Ethernet Switch IP41 rated w/M12 connectors; 9~36VDC dual power inputs; E-marking and ITxPT certified; -40°C to 75°C w/ignition
- **TGS-0006CA-54-24V.....P/N: 8351-13711**  
6 10/100/1000T Industrial Ethernet Switch IP54 rated w/M12 connectors; 9~36VDC dual power inputs; E-marking certified; -40°C to 75°C
- **TGS-0006CA-54-24V-IGN.....P/N: 8351-13721**  
6 10/100/1000T Industrial Ethernet Switch IP54 rated w/M12 connectors; 9~36VDC dual power inputs; E-marking and ITxPT certified; -40°C to 75°C w/ignition
- **TGS-0006CA-41-24V.....P/N: 8351-13741**  
6 10/100/1000T Industrial Ethernet Switch IP41 rated w/M12 connectors; 9~36VDC dual power inputs; E-marking certified; -

40°C to 75°C

■ **TGS-0006CA-41-24V-IGN.....P/N: 8351-13751**

6 10/100/1000T Industrial Ethernet Switch IP41 rated w/M12 connectors; 9~36VDC dual power inputs; E-marking and ITxPT certified; -40°C to 75°C w/ignition

**OPTIONAL ACCESSORIES**

**M12 Connector & Cable**

Connector

- **ECON120005PF** 5 pin M12 (Female) A-coded 180 degree crimp type connector for power supply
- **ECONM12-04A(F)-C-180** 4 pin M12 (Female) A-coded 180 degree crimp type connector for power supply
- **ECONM12-08X(M)-SPEEDCON** 8 pin M12 (Male) X-coded 180 degree crimp type connector for data, Ethernet CAT6A (10G), shielded, SPEEDCON

Cable

- **ECONM12-5P(F)70CM CABLE** 5 pin M12 (Female) A-coded 90 degree cable for power supply, 70cm
- **ECONM12-4P(F)1.5M CABLE** 4 pin M12 (Female) A-coded 90 degree cable for power supply, 150cm
- **ECABM12X83MSTP** 8 pin M12 (Male) X-coded 180 degree RJ45 STP cable for data, shielded, 300cm
- **ECONM12-05A(F) to MCP 6P-20CM CABLE** 5 pin M12 (Female) A-coded 180 degree to 6 pin MCP power cable, 20cm (For ignition models)

**Lantech Communications Global Inc.**

www.lantechcom.tw  
info@lantechcom.tw

© 2023 Copyright Lantech Communications Global Inc. all rights reserved.  
The revise authority rights of product specifications belong to Lantech Communications Global Inc.  
In a continuing effort to improve and advance technology, product specifications are subject to change without notice.