

T(P)ES-0008CA

8 10/100TX (PoE at/af) EN50155 Ethernet Switch

- IEEE802.3at/af up to 30W PoE output (for PoE model)
- Dual power inputs 9~36V (24V model) or 16.8~56V (24TVI model) ; w/ (PoE) galvanic isolation (For PoE Model)
- Wide Operating Temperature from -40°C to 75°C
- IP54/IP41 Aluminum housing for best heat dissipation and preventing moist ingress
- EN50155/50121-3-2/50121-4 and EN45545-2 Fire & Smoke verification
- E-mark certificate for vehicle (24V model)
- ITxPT labeled w/ignition function (24V-IGN model)



OVERVIEW

Lantech T(P)ES-0008CA is an 8 10/100 Base-TX with M12-connectors EN50155 unmanaged Ethernet switch with IP54/IP41 rated protection which meets the high reliability requirements demanded by industrial rolling stock applications.

E-marking certificate, ITxPT; ISO 7637-2 compliant and extended working temperature

The T(P)ES-0008CA is designed to meet with critical network environment with IP54 enclosure and M12 connectors for protection against dust and water. It has passed harsh environmental testing to comply with Industrial EMI and Safety standards as well as stability testing such as Free fall, Shock,

and vibration. It is labeled with ITxPT public transport standards and also compliant with ISO 7637-2 which protects switch from being damaged by high voltage that could be found at vehicle cranky start.

For a greater flexibility in application the T(P)ES-0008CA supports an extended operating temperature range from -40°C to 75°C.

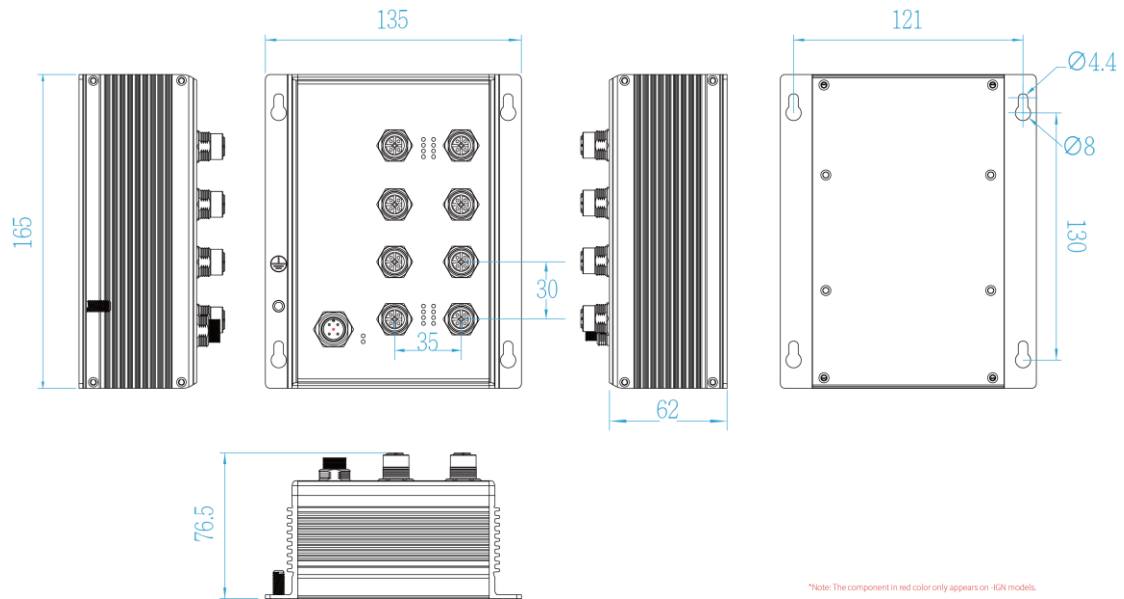
The E-marking certificate makes it the most suitable switch for bus, carriage, other vehicles application as well as for industrial areas where the power source is limited with 12V or 24V but has demand of IP surveillance or VoIP applications.

FEATURES & BENEFITS

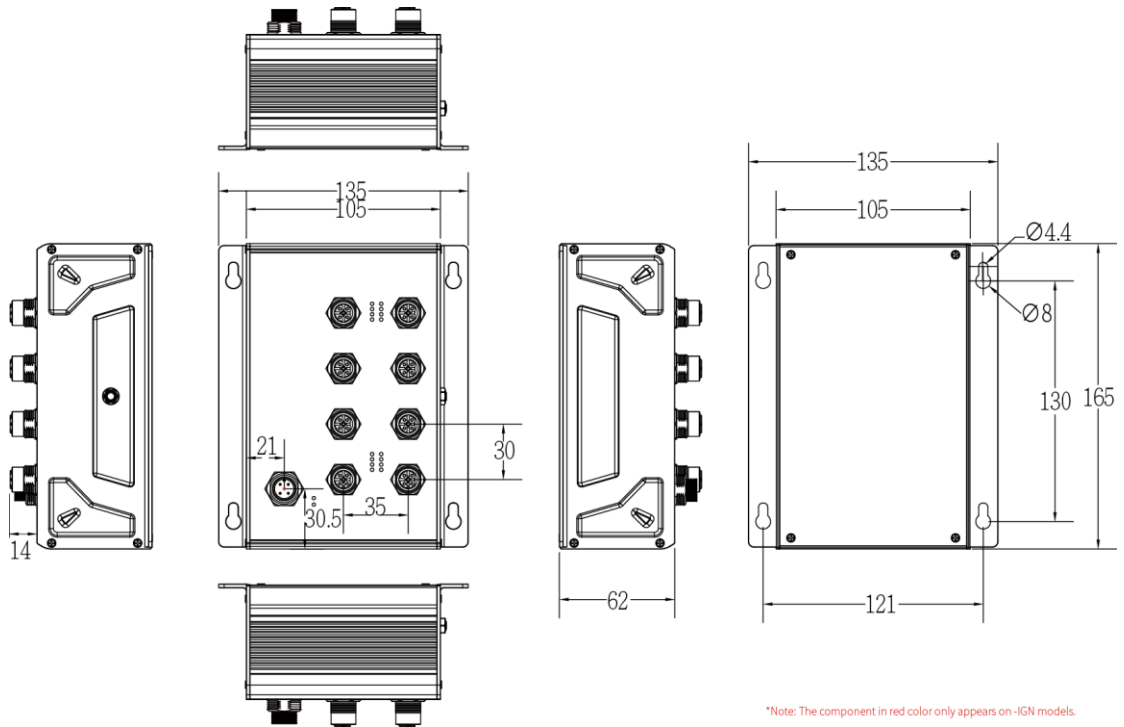
- 8 10/100TX Unmanaged EN50155 Ethernet Switch with M12 connectors and IP54/IP41 rated protection
- Supports IEEE802.3at/af feeding power up to 30W per PoE port (for PoE model)
- Back-plane (Switching Fabric): 1.6 Gbps
- 8K MAC address table
- Wide Operating Temperature (-40°C ~75°C)
- Din rail** and wall mount design
- E-mark certificate for vehicle (24V model)
- EN50155/50121-3-2/50121-4 and EN45545-2 Fire & Smoke verification
- ITxPT labeled w/ ignition function (24V-IGN model)

DIMENSIONS (unit=mm)

IP54 model



IP41 model



SPECIFICATIONS

| Hardware Specification | | |
|------------------------|--|--|
| IEEE Standard | IEEE802.3 10BASE-T Ethernet | 148,800pps for Fast Ethernet port |
| | IEEE802.3u 100BASE-T Ethernet | 8K MAC address table |
| | IEEE802.3x Flow Control and Back Pressure | 10/100TX: 8 x M12, 4-pole D-coded, Female with auto MDI/MDI-X function |
| | IEEE802.3at/af Power over Ethernet (For PoE Model) | Power connector: 1 x M12, 4-pole A coded, Male |
| Transfer Rate | 14,880pps for Ethernet port | 1 x M12, 5-pole A-coded, Male (-IGN model) |

| | |
|-----------------------|---|
| | |
| Rotary Switch | Rotary switch for delay time configuration (-24V-IGN model) |
| LED | Per unit: Power 1 (Green), Power 2 (Green), Ethernet: Link/Activity (Green) PoE: (Green) |
| PoE pin assignment | M12 port # 1~ # 8 support IEEE 802.3at/af End-point. Per port provides up to 30W (-6 model: M12 port #1~#6 support IEEE 802.3at/af End-point) |
| Power Supply | Dual input 9~36VDC (24V model) 16.8~56VDC (24TVI model) |
| Power Consumption | 3.5W without PoE (24V model) |
| Power Budget | Total 65W @ 24VDC and above Higher PoE budget can be applied upon request. ** |
| Operating Humidity | 5% to 95% (Non-condensing) |
| Operating Temperature | -40°C ~ 75°C (-40°F ~ 167°F) |
| Storage Temperature | -40°C ~ 85°C (-40°F ~ 185°F) |

| | |
|------------------------|---|
| Case Dimension | Aluminum case, 135mm(W)x165mm(H)x76.5mm(D) (IP54 model) 135mm(W)x165mm(H)x76mm(D) (IP41 model) |
| Weight | 700g |
| Installation | Wall Mount Design |
| EMC | FCC Class A, CE EN55011, CE EN61000-4-2 (ESD), CE EN61000-4-3 (RS), CE EN61000-4-4 (EFT), CE EN61000-4-5 (Surge), CE EN61000-4-6 (CS), CE EN61000-4-8 (Magnetic Field), CE EN61000-6-2, CE EN61000-6-4, CE EN55032, CE EN55024 BS EN61000-4-2, BS EN61000-4-3, BS EN61000-4-4, BS EN61000-4-5, BS EN61000-4-6, BS EN61000-4-8, BS EN55032, BS EN55024 |
| Stability Testing | EN61373 (Shock and Vibration) |
| Verifications & Report | EN50155/EN50121-3-2/EN50121-4 verification EN 45545-1, EN 45545-2 Fire & Smoke verification |
| Vehicle certificate | E13 marking (24V model) ITxPT labeled (24V-IGN model) |
| MTBF | 1,240,250 hours 1,502,043 hours (Non PoE) |
| Warranty | 5 years |

**Optional

ORDERING INFORMATION

All model packages include M12 caps and wall mount bracket. All standard models are non-coating, optional coating models are available with -C model name.

- **TPES-0008CA-54-24V.....P/N: 8351-12412**
8 10/100TX IP54 rated PoE at/af Ethernet Switch w/M12 connectors; -40°C to 75°C; 9~36VDC dual input; E-marking certified ; w/ PoE galvanic isolation
- **TPES-0008CA-6-54-24V.....P/N: 8351-12413**
8 10/100TX w/6 PoE at/af Ethernet Switch IP54 rated w/M12 connectors; -40°C to 75°C; 9~36VDC dual input; E-marking certified ; w/ PoE galvanic isolation
- **TPES-0008CA-54-24TVI.....P/N: 8351-12411**
8 10/100TX IP54 rated EN50155 PoE at/af Ethernet Switch w/M12 connectors; -40°C to 75°C; 16.8~56VDC dual input ; w/ PoE galvanic isolation
- **TPES-0008CA-6-54-24TVI.....P/N: 8351-12497**
8 10/100TX w/6 PoE at/af EN50155 Ethernet Switch IP54 rated w/M12 connectors; -40°C to 75°C; 16.8~56VDC dual input ; w/ PoE galvanic isolation
- **TPES-0008CA-54-24V-IGN.....P/N: 8351-1242**
8 10/100TX IP54 rated EN50155 PoE at/af Ethernet Switch w/M12 connectors; -40°C to 75°C; 9~36VDC dual input; E-marking and ITxPT certified w/ignition ; w/ PoE galvanic isolation
- **TPES-0008CA-6-54-24V-IGN.....P/N: 8351-12492**
8 10/100TX w/6 PoE at/af EN50155 Ethernet Switch IP54 rated w/M12 connectors; -40°C to 75°C; 9~36VDC dual input; E-marking and ITxPT certified w/ignition ; w/ PoE galvanic isolation
- **TPES-0008CA-41-24V.....P/N: 8351-12474**
8 10/100TX IP41 rated PoE at/af Ethernet Switch w/M12 connectors; -40°C to 75°C; 9~36VDC dual input; E-marking certified ; w/ PoE galvanic isolation
- **TPES-0008CA-6-41-24V.....P/N: 8351-12475**
8 10/100TX w/6 PoE at/af Ethernet Switch IP41 rated w/M12 connectors; -40°C to 75°C; 9~36VDC dual input; E-marking certified ; w/ PoE galvanic isolation
- **TPES-0008CA-41-24TVI.....P/N: 8351-12476**
8 10/100TX IP41 rated EN50155 PoE at/af Ethernet Switch w/M12 connectors; -40°C to 75°C; 16.8~56VDC dual input ; w/ PoE galvanic isolation
- **TPES-0008CA-6-41-24TVI.....P/N: 8351-12496**
8 10/100TX w/6 PoE at/af EN50155 Ethernet Switch IP41 rated w/M12 connectors; -40°C to 75°C; 16.8~56VDC dual input ;

- w/ PoE galvanic isolation

■ **TPES-0008CA-41-24V-IGN.....P/N: 8351-1248**
8 10/100TX IP41 rated EN50155 PoE at/af Ethernet Switch w/M12 connectors; -40°C to 75°C; 9~36VDC dual input; E-marking and ITxPT certified w/ignition ; w/ PoE galvanic isolation
- **TPES-0008CA-6-41-24V-IGN.....P/N: 8351-12495**
8 10/100TX w/6 PoE at/af EN50155 Ethernet Switch IP41 rated w/M12 connectors; -40°C to 75°C; 9~36VDC dual input; E-marking and ITxPT certified w/ignition ; w/ PoE galvanic isolation
- **TES-0008CA-54-24V.....P/N: 8351-5659**
8 10/100TX IP54 rated Ethernet Switch w/M12 connectors; -40°C to 75°C; 9~36VDC dual input; E-marking certified ; w/ galvanic isolation
- **TES-0008CA-54-24TVI.....P/N: 8351-56592**
8 10/100TX IP54 rated EN50155 Ethernet Switch w/M12 connectors; -40°C to 75°C; 16.8~56VDC dual input ; w/ galvanic isolation
- **TES-0008CA-54-24V-IGN.....P/N: 8351-56591**
8 10/100TX IP54 rated EN50155 Ethernet Switch w/M12 connectors; -40°C to 75°C; 9~36VDC dual input; E-marking and ITxPT certified w/ignition ; w/ galvanic isolation
- **TES-0008CA-41-24V.....P/N: 8351-1324**
8 10/100TX IP41 rated Ethernet Switch w/M12 connectors; -40°C to 75°C; 9~36VDC dual input; E-marking certified ; w/ galvanic isolation
- **TES-0008CA-41-24TVI.....P/N: 8351-13241**
8 10/100TX IP41 rated EN50155 Ethernet Switch w/M12 connectors; -40°C to 75°C; 16.8~56VDC dual input ; w/ galvanic isolation
- **TES-0008CA-41-24V-IGN.....P/N: 8351-1325**
8 10/100TX IP41 rated EN50155 Ethernet Switch w/M12 connectors; -40°C to 75°C; 9~36VDC dual input; E-marking and ITxPT certified w/ignition ; w/ galvanic isolation

OPTIONAL ACCESSORIES

M12 Connector & Cable

Connector

- **ECON120005PF** 5 pin M12 (Female) A-coded 180 degree crimp type connector for power supply
- **ECONM12-04A(F)-C-180** 4 pin M12 (Female) A-coded 180 degree crimp type connector for power supply
- **ECONM12-04D(M)-C-180** 4 pin M12 (Male) D-coded 180 degree crimp type connector for data

Cable

- **ECONM12-5P(F)70CM CABLE** 5 pin M12 (Female) A-coded 90 degree cable for power supply, 70cm
- **ECONM12-4P(F)1.5M CABLE** 4 pin M12 (Female) A-coded 90 degree cable for power supply, 150cm
- **ECAB124030MJS** 4 pin M12 (Male) D-coded 180 degree RJ45 STP cable for data, 300cm
- **ECONM12-05A(F) to MCP 6P-20CM CABLE** 5 pin M12 (Female) A-coded 180 degree to 6 pin MCP power cable, 20cm (For ignition models)

Lantech Communications Global Inc.

www.lantechcom.tw
info@lantechcom.tw

© 2023 Copyright Lantech Communications Global Inc. all rights reserved.
The revise authority rights of product specifications belong to Lantech Communications Global Inc.
In a continuing effort to improve and advance technology, product specifications are subject to change without notice.