

IES-0208GF (IP67/IP54)

8 10/100TX + 2 1000FX Industrial Ethernet Switch

- Provides M12 connector with IP67 or IP54 rated protection
- 12V power input boost to 54V output
- Wide Operating Temperature from -40°C to 75°C
- Wide range dual power inputs



IP67 Rated



IP54 Rated

OVERVIEW

Lantech IES-0208GF (IP67/IP54) is an 8 10/100 Base-TX+2 GigaFX with M12-connector unmanaged industrial switch for IP67 or IP54 rated protection, which meets the high reliability requirements demanded by industrial rolling stock applications.

The IES-0208GF (IP67/IP54) is designed to meet with critical network environment with IP67/IP54 enclosure and M12 connectors for protection against dust and water. IP67 model can be immersed 1 meter under water for 30 minutes long, so it is the best to place in the highly damp and moisture area in the train, vehicle or rail-side. Both have passed harsh environmental testing to comply with Industrial EMI and Safety standards as well as stability testing such as Free fall, Shock,

and vibration. For a greater flexibility in application the IES-0208GF (IP67/IP54) supports an extended operating temperature range from -40°C to 75°C.

The wide range dual power input from 9.5V~56V fits with most of train/vehicle usage. The 72V model offers dual power supply that can be powered from 50.4V to 90VDC while 110V model provides dual 43V to 137.5V inputs.

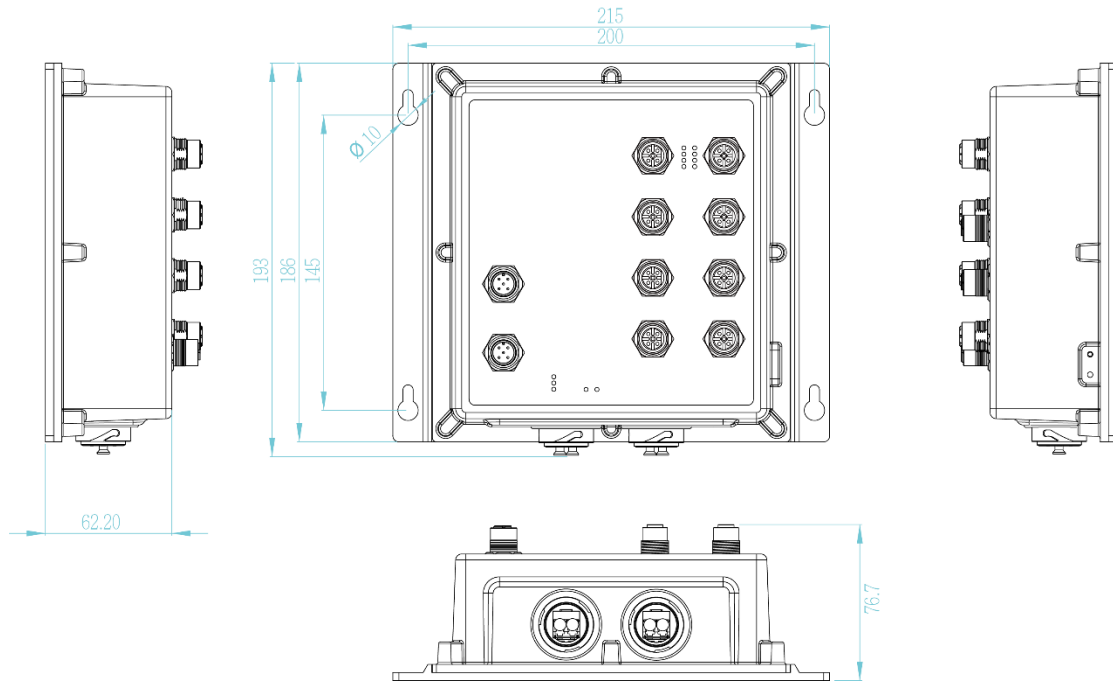
With EN45545-2 Fire & Smoke, EN50155 verification and E-mark certification, the IES-0208GF (IP67/IP54) is best for railway and vehicle applications.

FEATURES & BENEFITS

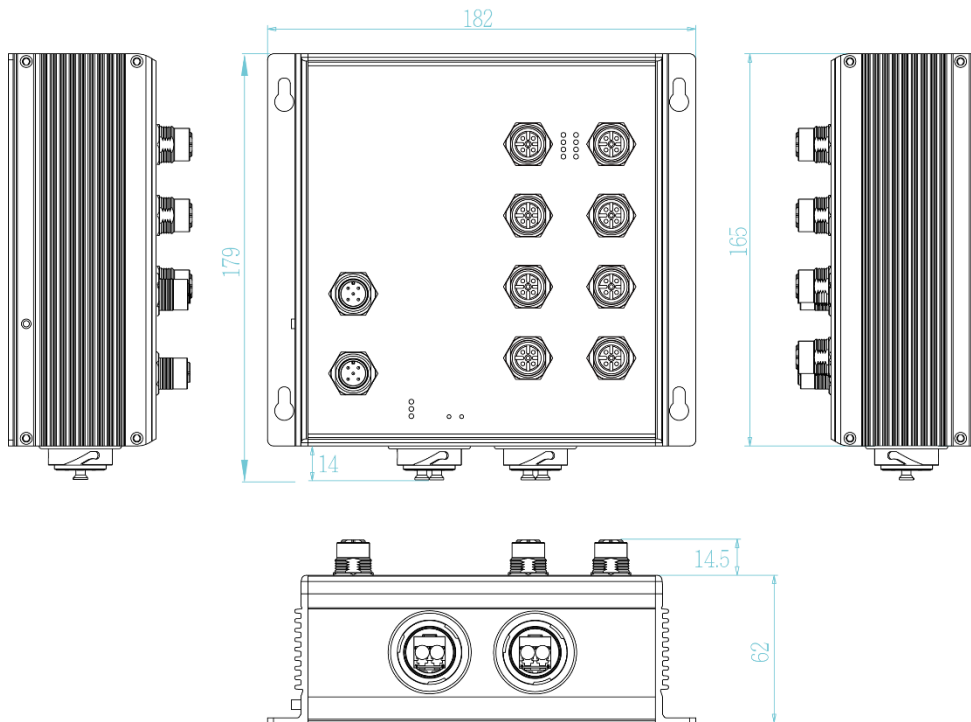
- 8 10/100TX+2GigaFX Unmanaged Industrial Switch w/with M12 connectors and IP67/IP54 rated protection
- Dual Power Design with wide DC12/24/48V
- Back-plane (Switching Fabric): 5.6Gbps
- 8K MAC address table
- Wide Operating Temperature (-40°C ~75°C)
- Din rail** and wall mount design
- EN45545-2 R13/R22/R23/R24/R25 (EN ISO 4589-2, EN ISO 5659-2, NF X70-100-1 & 2) Fire & Smoke verification
- E-mark certified

DIMENSIONS (unit=mm)

IP67 model



IP54 model



SPECIFICATIONS

| Hardware Specification | | | |
|------------------------|--|------------------------|---|
| IEEE Standard | IEEE802.3 10BASE-T Ethernet IEEE802.3u 100BASE-T Ethernet IEEE802.3z Gigabit fiber IEEE802.3x Flow Control and Back Pressure IEEE802.3at/af Power over Ethernet | | 120W for 24V input 80W for 72V Input 80W for 110V Input |
| Transfer Rate | 14,880pps for Ethernet port 148,800pps for Fast Ethernet port 1,488,000pps for Gigabit Fiber Ethernet port | Operating Humidity | 5% to 95% (Non-condensing) |
| Mac Address | 8K MAC address table | Operating Temperature | -40°C ~ 75°C (-40°F ~ 167°F) |
| Connector | 10/100T: 8 x M12, 4-pole D-coded, Female with auto MDI/MDI-X function Giga-FX : 2 x LC connector for single mode or multi mode type fiber cable Power connector: 1 x M12, 5-pole A-coded, Male | Storage Temperature | -40°C ~ 85°C (-40°F ~ 185°F) |
| Giga Optical Cable | Multi-mode: 50/125um-62.5/125um Single mode: 9/125um Available distance: 550m (Multi-mode)/10km (Single-mode) Wavelength: 850nm (Multi-mode)/1310nm (Single-mode) | Case Dimension | Aluminum case, IP-67, 215mm(W)x192.5mm(H)x76.7mm(D) Aluminum case, IP-54 182mm(W)x179mm(H)x76.5mm(D) |
| LED | Per unit: Power 1 (Green), Power 2 (Green), Ethernet: Link/Activity (Green) GigaFX: Link/Activity (Green) | Weight | 1.4kgs (IP67); 1.2kgs(IP54) |
| Power Supply | 9.5~56VDC on standard model 50.4~90VDC on 72V model 43~137.5VDC on 110V model with input isolation | Installation | Din Rail**, Wall Mount Design |
| Power Consumption | 10W for 12/24/48VDC 13.5W for 72/110VDC | EMC | FCC Part 15 Class A IEC/EN61000-6-2 CE EN55032 Class A CE EN55024: CE EN61000-4-2 (ESD) Level 3 CE EN61000-4-3 (RS) Level 3 CE EN61000-4-4 (EFT) Level 3 CE EN61000-4-5 ED3 (Surge) Level 3 CE EN61000-4-6 (CS) Level 3 CE EN61000-4-8 (Magnetic field) Level 3 |
| Power Budget | 240W for 45~56V input (54V input is recommended for PTZ or heater applications) 70W for 12V input | Stability Testing | EN61373 (Shock and Vibration) |
| | | Verifications & Report | EN50155/EN50121-3-2/EN50121-4 verification EN45545-2 R13/R22/R23/R24/R25 (EN ISO 4589-2, EN ISO 5659-2, NF X70-100-1 & 2) Fire & Smoke verification |
| | | MTBF | 992,412 hrs (standards: IEC 62380) |
| | | Warranty | 5 years |

*Pending

**Optional

ORDERING INFORMATION

All model packages include M12 caps and wall mount bracket. All standard models are non-coating, optional coating models are available with -C model name.

- **IES-0208GF-SX-67-12V.....P/N: 8362-548**
8 10/100TX + 2 GigaSX 550M IP67 rated Industrial Switch w/M12 connectors; dual 9.5~56V input; -40~75C
- **IES-0208GF-SX-54-12V.....P/N: 8362-5482**
8 10/100TX + 2 GigaSX 550M IP54 rated Industrial Switch w/M12 connectors; dual 9.5~56V input; -40~75C
- **IES-0208GF-LX-67-12V.....P/N: 8362-549**
8 10/100TX + 2 GigaLX 10KM IP67 rated Industrial Switch w/M12 connectors; dual 9.5~56V input; -40~75C
- **IES-0208GF-LX-54-12V.....P/N: 8362-5492**
8 10/100TX + 2 GigaLX 10KM IP54 rated Industrial Switch w/M12 connectors; dual 9.5~56V input; -40~75C
- **IES-0208GF-SX-67-72V.....P/N: 8362-550**
8 10/100TX + 2 GigaSX 550M IP67 rated Industrial Switch w/M12 connectors; dual 50.4~90V input; -40~75C
- **IES-0208GF-SX-54-72V.....P/N: 8362-5501**
8 10/100TX + 2 GigaSX 550M IP54 rated Industrial Switch w/M12 connectors; dual 50.4~90V input; -40~75C
- **IES-0208GF-LX-67-72V.....P/N: 8362-551**
8 10/100TX + 2 GigaLX 10KM IP67 rated Industrial Switch w/M12 connectors; dual 50.4~90V input; -40~75C
- **IES-0208GF-LX-54-72V.....P/N: 8362-5511**
8 10/100TX + 2 GigaLX 10KM IP54 rated Industrial Switch w/M12 connectors; dual 50.4~90V input; -40~75C
- **IES-0208GF-SX-67-110V.....P/N: 8362-552**
8 10/100TX + 2 GigaSX 550M IP67 rated Industrial Switch w/M12 connectors; dual 43~137.5V input; -40~75C

- **IES-0208GF-SX-54-110V.....P/N: 8362-5521**
8 10/100TX + 2 GigaSX 550M IP54 rated Industrial Switch w/M12 connectors; dual 43~137.5V input; -40~75C
- **IES-0208GF-LX-67-110V.....P/N: 8362-553**
8 10/100TX + 2 GigaLX 10KM IP67 rated Industrial Switch w/M12 connectors; dual 43~137.5V input; -40~75C
- **IES-0208GF-LX-54-110V.....P/N: 8362-5531**
8 10/100TX + 2 GigaLX 10KM IP54 rated Industrial Switch w/M12 connectors; dual 43~137.5V input; -40~75C

OPTIONAL ACCESSORIES

M12/M23 Connector & Cable

- **ECONM12-5P(F)70CM CABLE** 5 Pin M12 Power Female 90° angle Connector+ 70 CM Cable
- **ECONM12-05A(F)-C-180** M12 5Pin (Female) A-coded 180 Degree Crimp Type Connector
- **ECAB124030MJS** 4 pin M12 (Male) D-coded 180 degree RJ45 STP cable for data, 300cm
- **CON09000030** Fiber optical connector ASSY type

Lantech Communications Global Inc.

www.lantechcom.tw
info@lantechcom.tw

© 2019 Copyright Lantech Communications Global Inc. all rights reserved.
The revise authority rights of product specifications belong to Lantech Communications Global Inc.
In a continuing effort to improve and advance technology, product specifications are subject to change without notice.