

IES-0008B-41

8 10/100TX IP41 rated EN50155 Ethernet Switch

- EN45545-2 Fire & Smoke, EN50155 and EN61373 shock/vibration verification; E mark certified
- Provides M12 connector with IP41 rated protection
- Wide Operating Temperature from -40°C to 75°C
- Wide range redundant power inputs



OVERVIEW

Lantech IES-0008B-41 is an 8 10/100 Base-TX with M12-connector unmanaged EN50155 Ethernet switch for IP41 rated protection, which meets the high reliability requirements demanded by industrial rolling stock applications.

The IES-0008B-41 is designed to meet with critical network environment with IP41 enclosure and M12 connectors for protection against dust and water. It have passed harsh environmental testing to comply with Industrial EMI and Safety

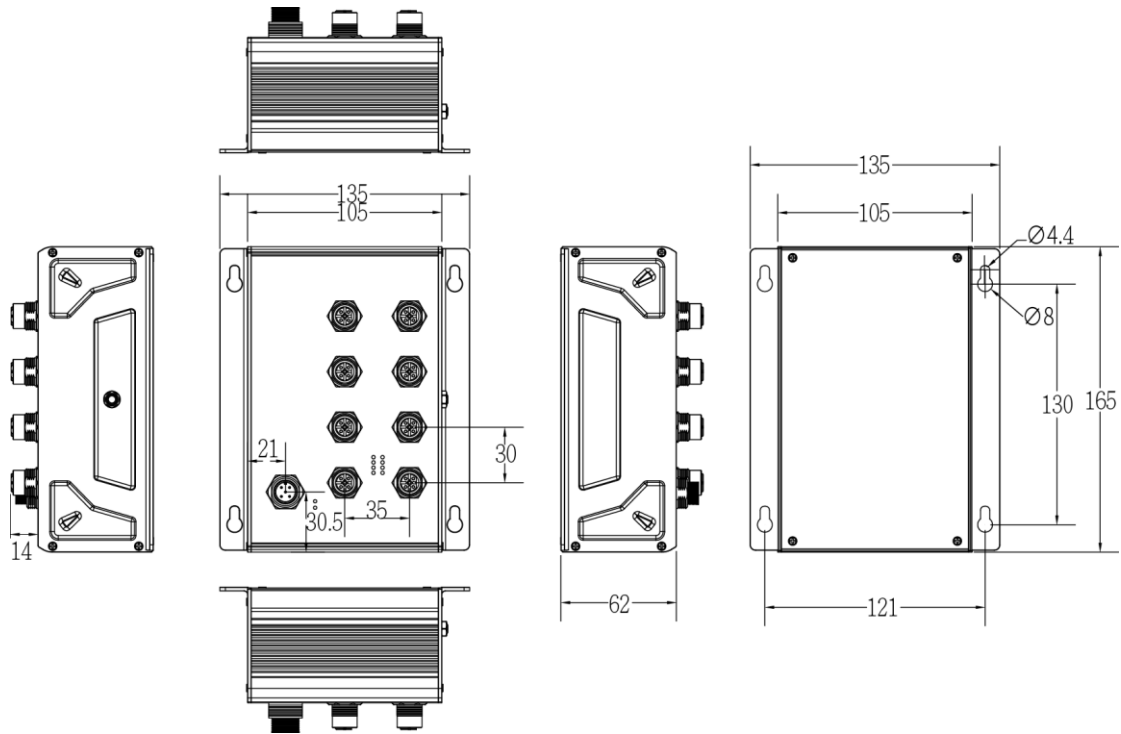
standards as well as stability testing such as Free fall, Shock, and Vibration. For a greater flexibility in application the IES-0008B-41 supports an extended operating temperature range from -40°C to 75°C.

The IES-0008B-41-12V accepts 9.5~60V DC input while 72V model accepts 50.4~90V DC input. With EN45545-2 Fire & Smoke, EN50155 verification and E-mark certification, the IES-0008B-41 is best for railway and vehicle applications.

FEATURES & BENEFITS

- 8 10/100TX EN50155 Unmanaged Ethernet Switch with M12 connectors and IP41 rated protection
- Dual Power Design with wide DC9.5~60V input (12V model)
- Dual Power Design with wide DC50.4~90V input (72V model)
- Back-plane (Switching Fabric): 1.6 Gbps
- 8K MAC address table
- Wide Operating Temperature (-40°C ~75°C)
- Din rail** and wall mount design
- EN45545-2 Fire & Smoke, EN50155 and EN61373 shock/vibration verification; E-mark certificate

DIMENSIONS (unit=mm)



SPECIFICATIONS

Hardware Specification		Case Dimension	Aluminum case, IP-41 135mm(W)x165mm(H)x62mm(D)
IEEE Standard	IEEE802.3 10BASE-T Ethernet IEEE802.3u 100BASE-T Ethernet IEEE802.3x Flow Control and Back Pressure	Weight	700g
Transfer Rate	14,880pps for Ethernet port 148,800pps for Fast Ethernet port	Installation	Wall Mount Design
Mac Address	8K MAC address table	EMC	FCC Class A, CE EN61000-4-2 (ESD), CE EN61000-4-3 (RS), CE EN-61000-4-4 (EFT), CE EN61000-4-5 (Surge), CE EN61000-4-6 (CS), CE EN61000-4-8 (Magnetic Field), CE EN55022 Class A, CE EN55024
Connector	10/100T: 8 x M12, 4-pole D-coded, Female with auto MDI/MDI-X function Power connector: 1 x M12, 5-pole A-coded, Male	Stability Testing	EN61373 (Shock and Vibration)
LED	Per unit: Power 1 (Green), Power 2 (Green), Ethernet: Link/Activity (Green)	Verifications & Report	EN50155/EN50121-3-2/EN50121-4 verification EN45545-2 R24/R25 (EN ISO 4589-2, EN ISO 5659-2, NF X70-100-1 & 2) Fire & Smoke verification; E-mark certificate
Power Supply	Dual power input 9.5-60VDC (12V model) Dual power input 50.4-90VDC (72V model)	Warranty	5 years
Power Consumption	6 Watts		**Optional
Operating Humidity	5% to 95% (Non-condensing)		
Operating Temperature	-40°C ~ 75°C (-40°F ~ 167°F)		
Storage Temperature	-40°C ~ 85°C (-40°F ~ 185°F)		

ORDERING INFORMATION

All model packages include M12 caps and wall mount bracket. All standard models are non-coating, optional coating models are available with -C model name.

- **IES-0008B-41-12V.....P/N: 8360-5652**
8 10/100TX IP41 rated EN50155 Ethernet Switch w/M12 connectors; dual 9.5~60V input; -40~75C
- **IES-0008B-41-72V.....P/N: 8360-5653**
8 10/100TX IP41 rated EN50155 Ethernet Switch w/M12 connectors; dual 50.4~90V input; -40~75C

OPTIONAL ACCESSORIES

M23 / M12 Connector & Cable

- **ECON120005PF** 5 Pin M12 Power Female Connector
- **ECONM12-5P(F)70CM CABLE** 5 Pin M12 Power Female 90C angle Connector+ 70 CM Cable
- **ECAB124030MJS** 4 Pin M12 RJ45 Male 3 Meters; STP Cable

Lantech Communications Global Inc.

www.lantechcom.tw
info@lantechcom.tw

© 2017 Copyright Lantech Communications Global Inc. all rights reserved.
The revise authority rights of product specifications belong to Lantech Communications Global Inc.
Lantech may make changes to specification and product descriptions at anytime, without notice.