

I(P)GS-5008T

8 10/100/1000T X-coded EN50155 L2+ (8 PoE at/af) Managed Ethernet

Switch w/ Enhanced G.8032 Ring

- EN50155/61373/45545-2 verification; 16.8~137.5V(WVI) or 9~36VDC(24VI) input selection with galvanic isolation
- Built-in IEC 61375-3-4 ECN (Ethernet Consist Network) to work with IEC61375-2-5 ETBN
- PoE model: IEEE802.3at/af up to 30W per port; PoE budget up to 80W
- PoE model: PoE management incl. detection and scheduling
- Enhanced G.8032 ring protection < 20ms for single ring. Supports auto mode, enhanced mode, train mode, multi-VLAN and basic mode; Enhanced G.8032 ring covers multicast packets; MSTP 16MSTI /RSTP ; support MRP ring
- IP67 / IP54 Aluminum housing for best heat dissipation and preventing moist ingress
- Environmental Monitoring for temp., input voltage, current and total PoE load (PoE model)
- Miss-wiring avoidance & node failure protection
- User friendly UI, including auto topology drawing; Complete CLI
- Support LACP link aggregation, MLD snooping, IGMP v3/router port, DHCP server & DHCP Option82; DHCP Snooping, Port based DHCP distribution, Mac based DHCP server, QoS by VLAN, SSH v2/SSL, HTTPS, INGRESS/EGRESS ACL L2/L3, QinQ, TACACS+**
- Protocol based VLAN ; IPv4 Subnet based VLAN
- N-key configurator** for upgrading, auto back up /editable restoration without computer



IP67 model



IP54 model



OVERVIEW

Lantech I(P)GS-5008T (IP67/IP54) is a high performance L2+ All Gigabit Ethernet switch with 8 10/100/1000T (w/8 PoE at/af ports up to 30W at M12 X-coded) providing advanced security function for network aggregation deployment. It houses in a IP67/IP54 aluminum compact enclosure that is waterproof and will prevent moisture ingress due to temperature fluctuations. It delivers ITU G.8032 enhanced ring recovery less than 20ms in single ring while also supports train ring, enhanced mode, multiple VLAN mode with easy configuration. The comprehensive QoS, QoS by VLAN, advanced security including INGRESS/EGRESS ACL L2/L3, SSH v2/SSL, TACACS+**, Mac based DHCP server, DHCP Option 82, DHCP server, IGMPv1/v2/v3/router port, QinQ are supported and also required in large network. It also supports 10K Jumbo frame.

Selection of dual WVI (16.8V~137.5VDC) input and 24VI

(9V~36VDC), High PoE budget and PoE galvanic isolation
 WVI model accepts 16.8~137.5VDC dual input and can feed 54V output with max 80W PoE budget (PoE model). 24VI model accept 9~36VDC dual input for PoE feeding with max 80W budget (PoE model). PoE galvanic isolation up to 1.5KVDC to provide power input to PoE Ethernet ports insulation prevents cabling and grounding incidents from damaging the Ethernet switch itself.

PoE +, Advanced PoE management (PoE model)

Lantech IPGS-5008T (IP67/IP54) supports IEEE802.3at/af standard which can feed power up to 30W at each PoE port for big power consumption devices like PTZ IP camera, wireless AP etc. The advanced PoE management includes PoE detection and scheduling besides the regular PoE per port status. PoE detection can detect if the connected PD is hang up then restart the PD; PoE scheduling is to allow pre-set

power feeding schedule upon routine time table. Per port PoE status can remotely On/Off the power and display information of voltage, current, watt and PoE temperature.

Enhanced G.8032 ring, 16 MSTI MSTP; MRP ring

Lantech I(P)GS-5008T (IP67/IP54) features enhanced G.8032 ring which can be self-healed in less than 20ms for single ring topology protection covering Multicast packets. It also supports various ring topologies that covers double ring, multi-chain (under enhanced ring), train ring, basic ring, multiple-VLAN ring and auto-ring by easy setup than others. The innovative auto-Ring configurator (auto mode) can calculate owner and neighbor in one step. It supports MSTP that allows RSTP over VLAN for redundant links with 16 MSTI.

MRP (Media Redundancy Protocol) can be supported for industrial automation networks.

Node failure protection, Node failure protection, Loop protection

The I(P)GS-5008T (IP67/IP54) also embedded several features for stronger and reliable network protection in an easy and intuitive way. When the pre-set ring configuration failed or looped by miss-wiring, Lantech I(P)GS-5008T (IP67/IP54) is able to alert with the LED indicator and disable ring automatically. Node failure protection ensures the switches in a ring to survive after power breakout is back. The status can be shown in NMS when each switch is back. This feature prevents the broken ring and keep ring alive without any re-configuration needed. Loop protection is also available to prevent the generation of broadcast storm when a dumb switch is inserted in a closed loop connection.

QoS by VLAN for legacy device

QoS by VLAN can allow switch to tag QoS by VLAN regardless the devices acknowledge QoS or not in which greatly enhance the bandwidth management in a network.

QinQ, QoS and GVRP supported

It supports the QinQ, QoS and GVRP for large VLAN segmentation.

IGMPv3, GMRP, router port, static multicast forwarding and multicast Ring protection

The unique multicast protection under enhanced G.8032 ring can offer immediate self-recovery instead of waiting for IGMP table timeout. It also supports IGMPv3, GMRP, router port and static multicast forwarding binding by ports for video surveillance application.

802.1X security by MAC address

MAC-based port authentication is an alternative approach to 802.1x for authenticating hosts connected to a port. By authenticating based on the host's source MAC address, the host is not required to run a user for the 802.1x protocol. The RADIUS server that performs the authentication will inform the switch if this MAC can be registered in the MAC address table of switch.

Built-in IEC 61375-3-4 ECN (Ethernet Consist Network) to work with IEC61375-2-5 TBN

Lantech OS1 Ethernet switches comply with IEC 61375-3-4

(ECN) standard. The support of Ethernet Consist Network allows interconnection between end devices located in single consist of train and interoperability with IEC61375-2-5 (TBN).

DHCP option 82 & Port based, Mac based DHCP, Option66, DHCP Snooping, IPv6 DHCP server

DHCP server can assign dedicated IP address by MAC or by port (Port based for single switch), it also can assign IP address by port for multiple switches with single DHCP option82 server. DHCP Snooping is supported. For the ending device which need to download file from TFTP server, DHCP Option66 server can offer IP address of TFTP server to DHCP client. Basic IPv6 DHCP service can be supported.

Auto-provisioning for firmware/configuration update

The switch supports auto-provisioning for switch to auto-check the latest software image and configuration through TFTP server.

User friendly GUI, Auto topology drawing

The user friendly UI, innovative auto topology drawing and topology demo makes I(P)GS-5008T (IP67/IP54) much easier to get hands-on. The complete CLI enables professional engineer to configure setting by command line.

Optional N-key auto backup, Exported text file

The configuration file of Lantech I(P)GS-5008T (IP67/IP54) can be exported in text file so that it can be edited and configured back to switch with ease for mass deployment. The optional N-key configurator offers firmware upgrade, auto backup/ editable configuration restore without computer by adjusting the DIP switch. The built-in watchdog design can automatically reboot the switch when CPU is found dead.

Event log & message; 4 DI + 3DO

In case of event, the I(P)GS-5008T (IP67/IP54) is able to send an email** to pre-defined addresses as well as SNMP Traps out immediately. It provides 4DI and 3DO when disconnection of the specific port was detected; DO will activate the signal LED to alarm. DI can integrate the sensors for events and DO will trigger the alarm while sending alert information to IP network with email and traps.

Environmental monitoring for inside switch info

The built-in environmental monitoring can detect switch overall temperature, real input voltage, current and total PoE load (PoE model) where can send the SNMP traps and email** when abnormal.

Relay alarm, High ESD protection

Featured with relay contact alarm function, the I(P)GS-5008T (IP67/IP54) is able to connect with alarm system in case of power failure or port disconnection events. The I(P)GS-5008T (IP67/IP54) also provides $\pm 2000V$ EFT and $\pm 6000V$ ESD protection, which can reduce unstable situation caused by power line and Ethernet.

EN50155, 45545-2, 50121-3-2, EN61373 verification

The I(P)GS-5008T (IP67/IP54) passed serious tests under extensive Industrial EMI and Safety standards. With EN45545-2 Fire & Smoke, and EN50155 verification, the I(P)GS-5008T

(IP67/IP54) is best for railway in train/track side, vehicle and mining applications. For more usage flexibilities, I(P)GS-5008T

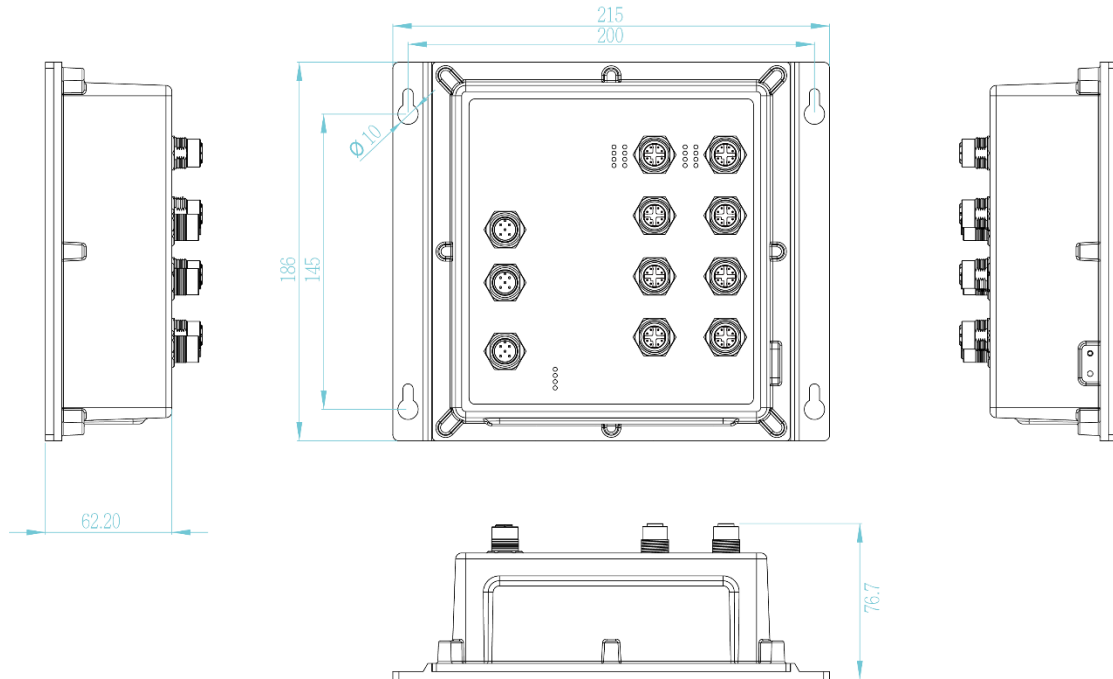
(IP67/IP54) supports wide operating temperature from -40°C to 75°C.

FEATURES & BENEFITS

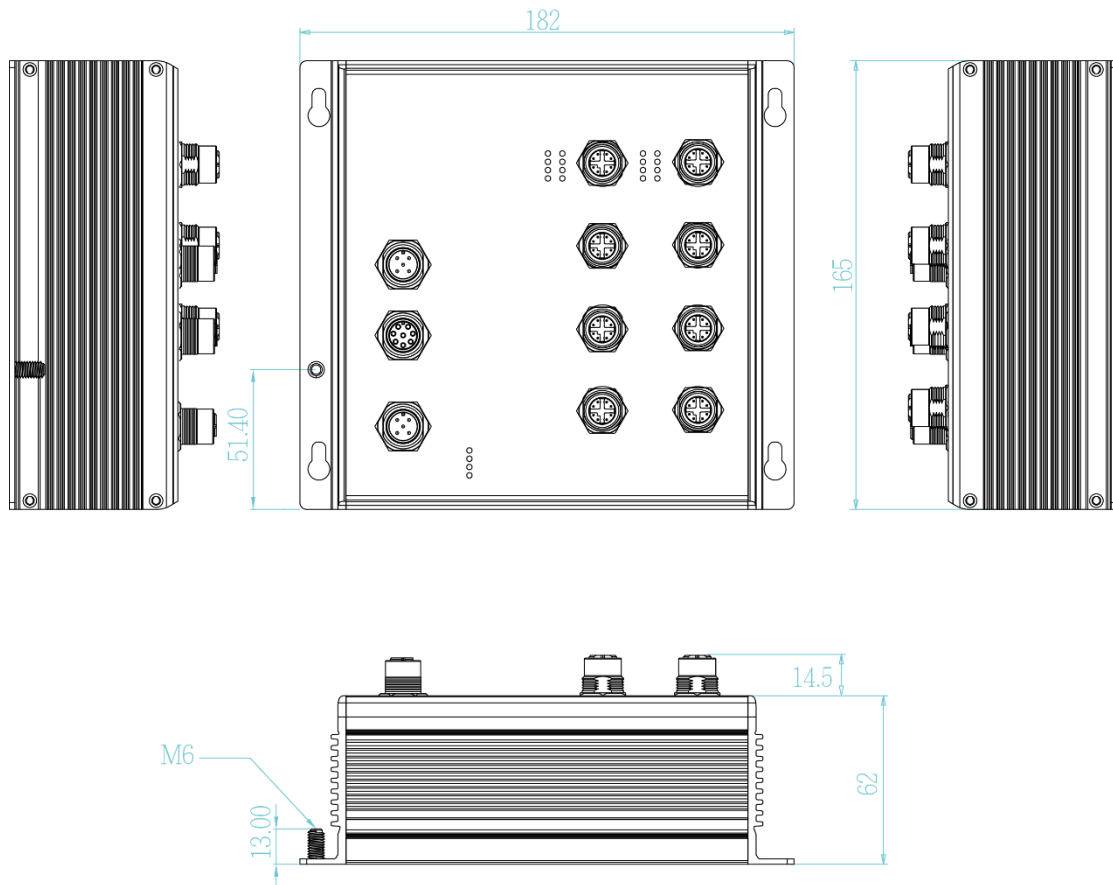
- **8 10/100/1000T X-coded EN50155 (PoE) Managed IP67/IP54 M12 Ethernet Switch (w/8x 802.3at/af PoE ports/ 30W@each port) (Total 8 Ports Gigabit Switch)**
- **EN45545-2 Fire & Smoke, EN50155 and EN61373 shock/vibration verification**
- **PoE 24V model accepts dual 9~36VDC power input and boost to 54V for PoE 802.3at/af at max 80W budget w/ PoE galvanic isolation**
- **PoE WVI model accepts dual 16.8~137.5VDC power input and feed 54V for PoE at/af at max 80W budget w/ PoE galvanic isolation**
- **Back-plane (Switching Fabric): 16Gbps**
- **16K MAC address table**
- **10KB Jumbo frame**
- **User friendly UI, auto topology drawing, topology demo, complete CLI for professional setting**
- **Enhanced G.8032 Ring protection in 20ms < 256 switches**
 - *Support various ring/chain topologies, including train ring, enhanced ring, basic ring, auto ring & multiple VLAN ring*
 - *Auto ring configuration(auto mode) for single ring*
 - *Multi-VLAN mode*
 - *Basic mode with 3rd party G.8032 switch*
- **IEEE 802.1d STP, IEEE 802.1w RSTP, 802.1s MSTP VLAN redundancy with 16 MSTI**
- **Supports IEEE 802.1p Class of Service, per port provides 8 priority queues Port base, Tag Base and Type of Service Priority**
- **4K 802.1Q VLAN, Port based VLAN, GVRP, QinQ, QoS**
- **QoS by VLAN tag to prioritize all devices in network**
- **Supports IEEE 802.1ab LLDP, Cisco CDP; LLDP info can be viewed via Web/ Console**
- **DHCP server / client / DHCP Option 82 relay / DHCP Option 82 server; Port based DHCP server; DHCP Snooping; DHCP Option 66; basic IPv6 DHCP server**
- **Mac based DHCP server to assign IP address**
- **Bandwidth Control**
 - *Ingress packet filter and egress rate limit*
 - *Broadcast/multicast packet filter control*
- **Relay alarm output system events**
- **Miss-wiring avoidance**
 - *LED indicator*
- **Node failure protection**
 - *Ensure the switches in a ring to survive after power breakout is back*
 - *The status can be shown in NMS when each switch is back*
- **TFTP/ HTTP firmware upgrade**
- **MLD Snooping for IPv6 Multicast stream**
- **System Event Log and SNMP Trap for alarm support; 32 RMON counters**
- **Security**
 - *SSL/SSH v2/INGRESS/EGRESS ACL L2/L3*
 - *MAC address table: MAC address entries/Filter/static MAC-Port binding*
 - *IP Security: IP address security management to prevent unauthorized intruder.*
 - *TACACS+***
 - *Login Security: IEEE802.1X/RADIUS*
 - *HTTPS for secure access to the web interface*
- **Static multicast forwarding forward reversed IGMP flow with multicast packets binding with ports for IP surveillance application**
- **IGMP router port to assign query in ring for reversed multicast video flow**
- **IGMPv1,v2,v3 with Query mode for multimedia**
- **Watchdog design to auto reboot switch CPU is found dead**
- **Built-in environmental monitoring for system input voltage, current, ambient temperature & total PoE load (PoE model)**
- **Supports 4 DI + 3DO (Digital Input/Digital Output)**
- **IP67/IP54 aluminum housing with wall mount design**
- **Diagnostic including Ping / DDM information**
- **Built-in IEC 61375-3-4 ECN (Ethernet Consistent Network) to work with IEC61375-2-5 TBN**
- **Configuration backup and restoration**
 - *Supports editable configuration file for system quick installation*
- **Wide operation temperature: -40C~-75C/-40F~-167F**
- **EN45545-2 Fire & Smoke, EN50155 and EN61373 shock/vibration verification**
- **Auto Provision to verify switch firmware with the latest or certain version**

DIMENSIONS (unit=mm)

IP67 model




IP54 model



SPECIFICATION

Hardware Specification

Standards	IEEE 802.3 10Base-T Ethernet IEEE 802.3u 100Base-TX IEEE802.3ab 1000Base-T IEEE802.3x Flow Control and Back Pressure IEEE802.3ad Port trunk with LACP IEEE802.1d Spanning Tree IEEE802.1w Rapid Spanning Tree IEEE802.1s Multiple Spanning Tree IEEE 802.3ad Link Aggregation Control Protocol (LACP) IEEE 802.1AB Link Layer Discovery Protocol (LLDP) IEEE 802.1X User Authentication (Radius) IEEE802.1p Class of Service IEEE802.1Q VLAN Tag IEEE802.3at/af Power over Ethernet IEEE802.3z Gigabit fiber
Switch Architecture	Back-plane (Switching Fabric): 16Gbps
Transfer Rate	14,880pps for Ethernet port 148,800pps for Fast Ethernet port 1,488,000pps for Gigabit Ethernet port
Mac Address	16K MAC address table
Jumbo frame	10KB
Connectors	10/100/1000T: 8 x ports M12 8-pole X-coded with Auto MDI/MDI-X function RS-232/Relay connector: 1 x M12 5-pole A-coded DI/DO: 1 x M12 8-pole A-coded Power Input connector : 1x M12 5-pole A-coded Male
Network Cable	10Base-T: 2-pair UTP/STP Cat. 3, 4, 5/ 5E/ 6 cable EIA/TIA-568 100-ohm (100m) 100Base-TX: 2-pair UTP/STP Cat. 5/ 5E/ 6 cable EIA/TIA-568 100-ohm (100m) 1000Base-TX: 2-pair UTP/STP Cat. 5/ 5E/ 6 cable EIA/TIA-568 100-ohm (100m)
LED	Per unit: Power 1 (Green), Power 2 (Green), FAULT (Red), RM(Green) Ethernet port: Link/Active(Green) PoE : Link/Active(Green, PoE model)
DI/DO	4 Digital Input (DI) : Level 0: -30~2V / Level 1: 10~30V Max. input current:8mA 3 Digital Output(DO): Open collector to 80 VDC, 50mA
Operating Humidity	5% ~ 95% (Non-condensing)
Operating Temperature	-40°C~75°C / -40°F~167°F
Storage Temperature	-40°C~85°C / -40°F~185°F
Power Supply	IPGS-5008T Dual DC input, 16.8~137.5VDC with PoE and Ethernet galvanic isolation (WVI model) Dual DC input, 9~36VDC with PoE and Ethernet galvanic isolation (24VI model) IGS-5008T

	Dual DC input, 16.8~137.5VDC with Ethernet galvanic isolation (WVI model) Dual DC input, 9~36VDC with Ethernet galvanic isolation (24VI model)
Power Consumption	Without PoE: Max. 12W With PoE: Max. 13.7W
PoE Budget (PoE model)	Total 80W @ 24 VDC and above Higher PoE budget can be applied upon request. **
PoE pin assignment (PoE model)	M12: port # 1~ # 8 support IEEE 802.3at/af End-point. Per port provides up to 30W 10/100/1000T  1:TXD1+ 5:BD4+ 2:TXD1- 6:BD4- 3:RXD2+ 7:BD3+ 4:RXD2- 8:BD3-
Dimensions	IP67 model: Aluminum case 215mm(W)x186mm(H)x76.7mm(D) IP54 model: Aluminum case 182mm(W)x165mm(H)x76.5mm(D)
Weight	1.4kgs(IP67); 980gs (IP54)
Installation	IP67 model: DIN Rail** and Wall Mount Design IP54 model: Wall Mount Design
EMI & EMS	FCC Part 15 Class A ,CE EN55022, CE EN55024 , CE EN61000-4-11 CE EN61000-4-2 (ESD) Level 3 CE EN61000-4-3 (RS) Level 3 CE EN61000-4-4 (EFT) Level 3 CE EN61000-4-5 ED3 (Surge) Level 3 CE EN61000-4-6 (CS) Level 3 CE EN61000-4-8 (Magnetic field) Level 3
Stability Testing	EN61373 (Shock and Vibration)
Verifications & report	EN50155/EN50121-3-2/EN50121-4 verification EN45545-2 R24/R25 (EN ISO 4589-2, EN ISO 5659-2,NF X70-100-1 & 2) Fire & Smoke verification
MTBF	622,324 hrs (standards: IEC 62380)
Warranty	5 years
Software Specification	
Management	SNMP v1 v2c, v3/ Web/Telnet/CLI
SNMP MIB	MIB MIBII SNMP MIB Bridge MIB IF MIB RMON MIB Private MIB
ITU G.8032	Support ITU G.8032 v2/2012 for Ring protection in less than 20ms for self-heal recovery (single ring) Support various ring/chain topologies Includes train ring, auto ring, basic single ring, enhanced ring, multiple-VLAN ring Enhanced G.8032 ring configuration with ease Multi-VLAN mode
PoE Management (PoE model)	1. PoE Detection to check if PD is hang up then restart the PD 2. PoE Scheduling to On/OFF PD upon

	<p>routine time table</p> <p>3. On/ Off, voltage, current, watts, temperature</p>
User friendly UI	<ul style="list-style-type: none"> ■ Auto topology drawing ■ Topology demo ■ Auto configuration for G.8032 (auto mode) for single ring ■ Complete CLI for professional setting
MLD Snooping	Support IPv6 Multicast stream
Port Trunk with LACP	LACP Port Trunk: 8 Trunk groups
LLDP	Supports LLDP to allow switch to advise its identification and capability on the LAN
CDP	Cisco Discovery Protocol for topology mapping
Environmental Monitoring	System status for input voltage, current, ambient temperature and total PoE load (PoE model) to be shown in GUI and sent alerting if any abnormal status
VLAN	<p>Port Based VLAN</p> <p>IEEE 802.1Q Tag VLAN (256 entries)/ VLAN ID (Up to 4K, VLAN ID can be assigned from 1 to 4096.)</p> <p>GVRP, QinQ, Protocol based VLAN ; IPv4 Subnet based VLAN</p>
Spanning Tree	Supports IEEE802.1d Spanning Tree and IEEE802.1w Rapid Spanning Tree, IEEE802.1s Multiple Spanning Tree 16MSTI
Quality of Service	The quality of service determined by port / CoS / ToS / VLAN / 61375-3-4
Class of Service	Support IEEE802.1p class of service, per port provides 8 priority queues
Login Security	Supports IEEE802.1X Authentication/RADIUS
Port Mirror	Support 3 mirroring types: "RX, TX and Both packet"
Network Security	<p>Support 10 IP addresses that have permission to access the switch management and to prevent unauthorized intruder.</p> <p>802.1X access control for port based and MAC based authentication/MAC-Port binding</p> <p>Ingress/Egress ACL L2/L3</p> <p>SSL/ SSH v2 for Management</p> <p>HTTPS for secure access to the web interface</p> <p>TACACS+** for Authentication</p>
IGMP	Support IGMP snooping v1,v2,v3 ; 1024 multicast groups; IGMP router port ; IGMP query; GMRP
Static multicast forwarding (MVR)	Static multicast forwarding forward reversed IGMP flow (MVR) with multicast packets binding with ports for IP surveillance application
Bandwidth	Support ingress packet filter and egress packet

Control	<p>limit.</p> <p>The egress rate control supports all of packet type. Ingress filter packet type combination rules are Broadcast/Multicast/Flooded Unicast packet, Broadcast/Multicast packet, Broadcast packet only and all types of packet.</p> <p>The packet filter rate can be set an accurate value through the pull-down menu for the ingress packet filter and the egress packet limit.</p>
Flow Control	Supports Flow Control for Full-duplex and Back Pressure for Half-duplex
System Log	Supports System log record and remote system log server
Relay Alarm	<p>Provides one relay output for port breakdown, power fail and alarm.</p> <p>Alarm Relay current carry ability: 1A @ DC24V</p>
Protection	<ul style="list-style-type: none"> ■ Miss-wiring avoidance ■ Node failure protection ■ Loop protection
SNMP Trap	<p>Up to 10 trap stations; trap types including:</p> <ul style="list-style-type: none"> ● Device cold start ● Authorization failure ● Port link up/link down ● DI/DO open/close ● Typology change (ITU ring) ● Power failure ● Environmental abnormal
DHCP	Provide DHCP Client/ DHCP Server/DHCP Option 82/Port based DHCP; DHCP Snooping; DHCP Option 66; Basic IPv6 DHCP server
Mac based DHCP Server	Assign IP address by Mac
DNS	Provide DNS client feature
SNTP	Supports SNTP to synchronize system clock in Internet
ECN	Complies with IEC 61375-3-4 (ECN) standard. The support of Ethernet Consist Network allows interconnection between end devices located in single consist of train and interoperability with IEC61375-2-5 (TBN).
Diagnostic	Support Ping and DDM information
Firmware Update	Supports TFTP firmware update, TFTP backup and restore; HTTP firmware upgrade
N-Key Configurator**	RJ45 dongle for firmware upgrade, auto backup / editable restoration
Configuration upload and download	<p>Supports text configuration file for system quick installation</p> <p>Support factory reset button to restore all settings back to factory default</p>
Auto Provision	To verify switch firmware with the latest or certain version

*Future release

**Optional

ORDERING INFORMATION

All model packages include M12 caps and wall mount bracket. All standard models are non-coating, optional coating models are available with -C model name.

- **IPGS-5008T-67-WVI.....P/N: 8361-4246**
8 10/100/1000T X-coded EN50155 M12 L2+ PoE Managed Gigabit Ethernet Switch; 16.8~137.5VDC dual input w/ PoE galvanic isolation; PoE max 80W budget ; -40°C to 75°C; IP67 rated
- **IPGS-5008T-54-WVI.....P/N: 8361-4247**
8 10/100/1000T X-coded EN50155 M12 L2+ PoE Managed Gigabit Ethernet Switch; 16.8~137.5VDC dual input w/ PoE galvanic isolation; PoE max 80W budget ; -40°C to 75°C; IP54 rated
- **IPGS-5008T-67-24VI.....P/N: 8361-4254**
8 10/100/1000T X-coded EN50155 M12 L2+ PoE Managed Gigabit Ethernet Switch; 9~36VDC dual input w/ PoE galvanic isolation; PoE budget max 80W; -40°C to 75°C; IP67 rated
- **IPGS-5008T-54-24VI.....P/N: 8361-4255**
8 10/100/1000T X-coded EN50155 M12 L2+ PoE Managed Gigabit Ethernet Switch; 9~36VDC dual input w/ PoE galvanic isolation; PoE budget max 80W; -40°C to 75°C; IP54 rated
- **IGS-5008T-67-WVI.....P/N: 8361-425**
8 10/100/1000T X-coded EN50155 M12 L2+ Managed Gigabit Ethernet Switch; 16.8~137.5VDC dual input w/ galvanic isolation;-40°C to 75°C; IP67 rated
- **IGS-5008T-54-WVI.....P/N: 8361-4252**
8 10/100/1000T X-coded EN50155 M12 L2+ Managed Gigabit Ethernet Switch; 16.8~137.5VDC dual input w/ galvanic isolation;-40°C to 75°C; IP54 rated
- **IGS-5008T-67-24VI.....P/N: 8361-4251**
8 10/100/1000T X-coded EN50155 M12 L2+ Managed Gigabit Ethernet Switch; 9~36VDC dual input w/ galvanic isolation;-40°C to 75°C; IP67 rated
- **IGS-5008T-54-24VI.....P/N: 8361-4253**
8 10/100/1000T X-coded EN50155 M12 L2+ Managed Gigabit Ethernet Switch; 9~36VDC dual input w/ galvanic isolation;-40°C to 75°C; IP54 rated
- **N-key Configurator.....P/N: 8850-100**
RJ45 connector dongle for firmware upgrade, auto/editable configuration backup and restoration; -20°C to 60°

OPTIONAL ACCESSORIES

M12 Connector & Cable

Connector

- **ECONM12-08A(M)-180** 8 pin M12 (Male) A-coded 180 degree crimp type connector for reset/console/USB
- **ECONM12-05A(M)-C-180** 5 pin M12 (Male) A-coded 180 degree crimp type connector for DI/DO
- **ECONM12-08X(M)-SPEEDCON** 8 pin M12 (Male) X-coded 180 degree crimp type connector for data, Ethernet CAT6A (10G), shielded, SPEEDCON

Cable

- **ECABM12X83MSTP** 8 pin M12 (Male) X-coded 180 degree RJ45 STP cable for data, shielded, 300cm
- **ECONM12-5P(F)70CM CABLE** 5 pin M12 (Female) A-coded 90 degree cable for power supply, 70cm

Lantech Communications Global Inc.

www.lantech.com.tw
info@lantech.com.tw

© 2024 Copyright Lantech Communications Global Inc. all rights reserved.
The revise authority rights of product specifications belong to Lantech Communications Global Inc.
In a continuing effort to improve and advance technology, product specifications are subject to change without notice.