

# CM-011A Fiber Converter Series

10/100TX to 100FX Media Converter w/ LLF

## function

- Build in Link Loss Forwarding Technology
- DIP switch for Auto negotiation, Speed , Half/ Full Duplex and LLF mode
- Slide in 16-slot converter chassis



## OVERVIEW

Lantech CM-011A-SC/ST/WDM fiber converter is designed to extend the transmitting distance of copper to optical-fiber network.

Lantech CM-011A supports switch mode and pure converter mode. 8 DIP switches are to adjust transmitting mode and Link Loss Forwarding (LLF) feature. The MDI/MDI-X function can automatically detect the required cable connection type and

configure the connection appropriately.

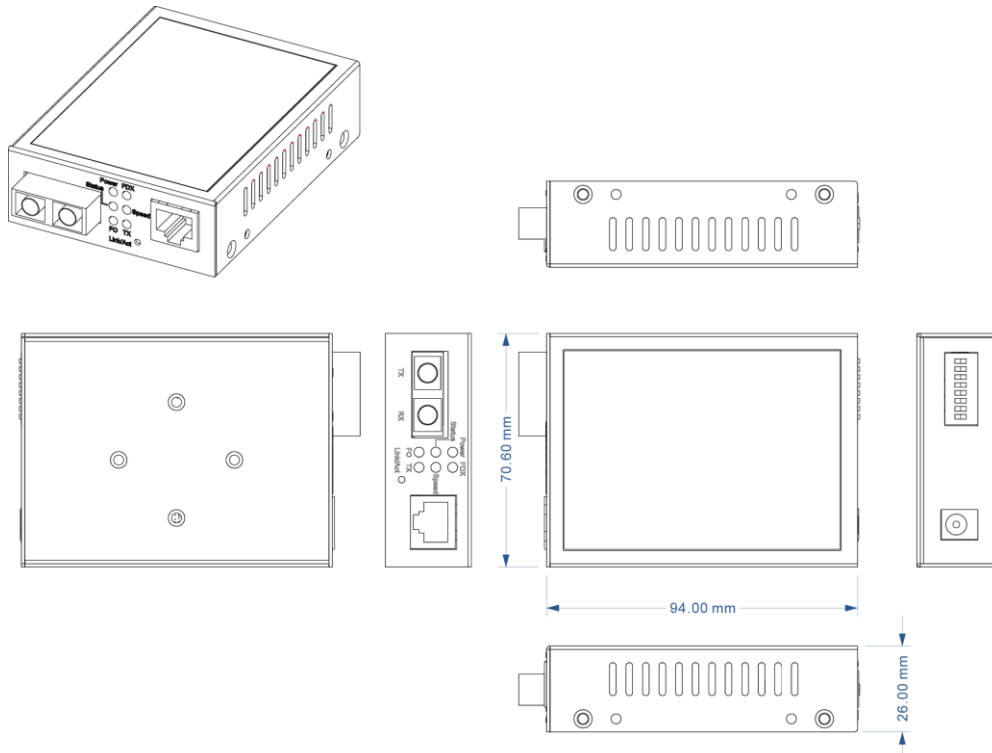
Lantech provides various modules to satisfy the demand of users include WDM/SC/ST multi mode and single mode (20/30km) interfaces. CM-011A can be slide into a 16-slots chassis which RPS option (MC-116-RPS) to be centralized and rack mountable.

## FEATURES & BENEFITS

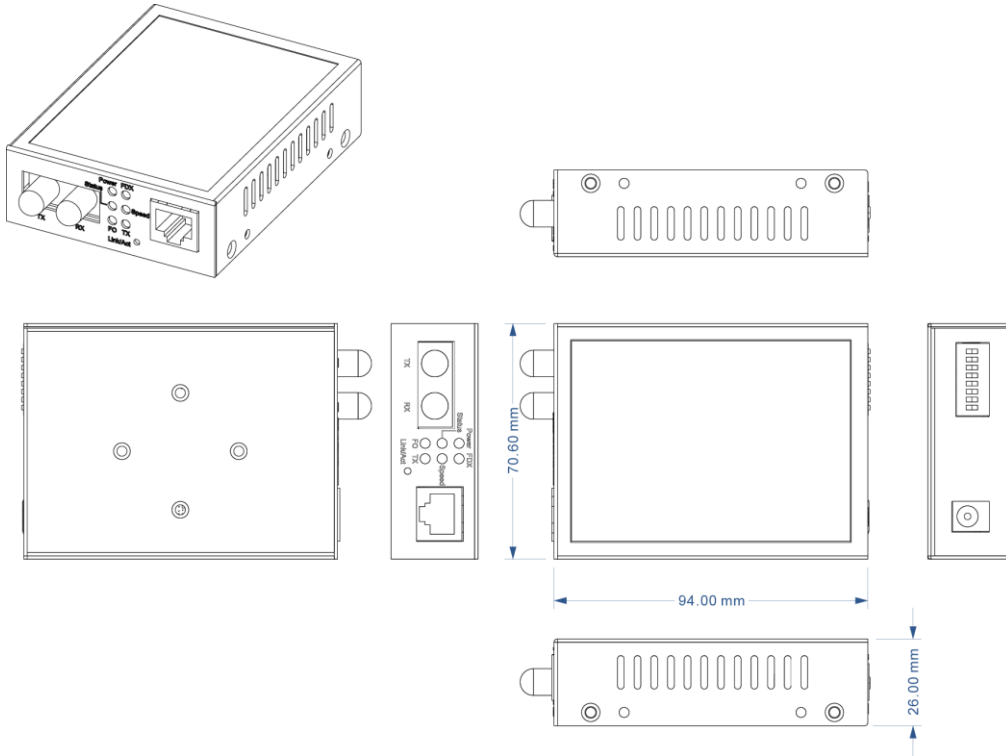
- Complies with IEEE 802.3,3u,3x Standard
- 10/100TX to 100FX Media converter
- Built in Link Loss Forwarding Technology
- 10/100TX port support Auto MDI/MDI-X
- 9K Bytes Jumbo Frame Size
- DIP switch function: Auto negotiation, Speed , Half/ Full Duplex and Link Alarm (LLF)

## DIMENSIONS (unit=mm)

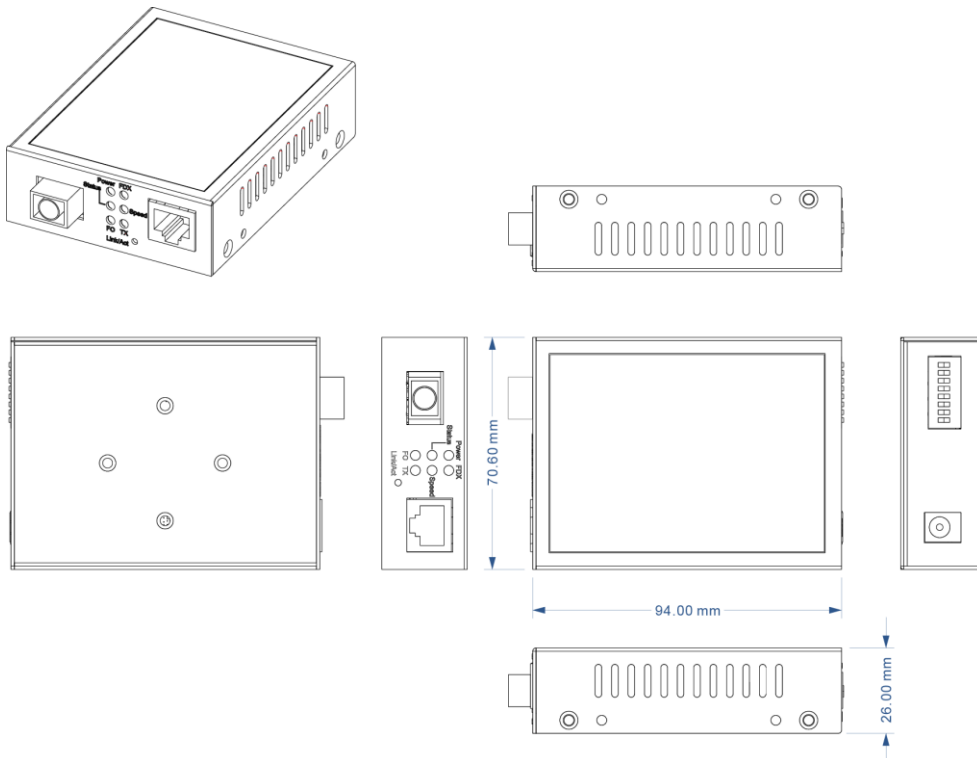
SC model



ST model



WDM model



**SPECIFICATION**

Standards	IEEE 802.3 10Base-T	Switch architecture	Store and Forward	
	IEEE 802.3u 100Base-TX & 100Base-FX		MAC address table	2K
	IEEE 802.3x Flow Control		Memory buffer:	64K
Connector	Fiber: Duplex ST/SC/MT-RJ, Simplex SC(WDM single mode)	Jumbo Frame	9K Bytes	
	RJ-45 Socket: CAT 5 (10/100Mbps) Twisted Pair cable Auto MDI/MDI-X and Auto-Negotiation Function Support			

Link Loss Forward	10/100TX=>Fiber: If 10/100TX port link down, then converter will forced fiber to link down. Fiber =>10/100TX: If Fiber port link down, the media converter will forced 10/100TX port to link down.
Power Adapter	Power Input: AC 100-240 V Power Output: DC 5V, 1.6A
Power Consumption	1.5 W
Environment	Operation Temperature.: 0°C to 50°C Storage Temperature: -20° - 60°C

LED	Operation Humidity: 5% to 90% (Non-condensing)
DIP Switch (Rear Panel)	Power, FDX, Speed, FO Link/Act, TX Link/Act, Status DIP Switch 1: 10/100TX Auto-Negotiation DIP Switch 2: 10/100TX Speed DIP Switch 3: 10/100TX Duplex DIP Switch 4: Link Alarm (Link Loss Forwarding) Disable/Enable
Dimension	Module: 71mm x 94mm x 26 mm
EMI & Safety	FCC Class A, CE
Warranty	2 years

## ORDERING INFORMATION

- **CM-011A-ST-MM.....P/N: 8421-163**  
100FX (100FX, ST, Multit-Mode, 2km) to 10/100TX Converter w/ LLF function
- **CM-011A-SC-MM.....P/N: 8421-164**  
100FX (100FX, SC, Multit-Mode, 2km) to 10/100TX Converter w/ LLF function
- **CM-011A-SC-30.....P/N: 8421-178**  
100FX (100FX, SC, Single-Mode, 30km) to 10/100TX Converter w/ LLF function
- **CM-011A-WDM13.....P/N: 8421-182**  
WDM fiber Modular converter, 100FX (100FX, SC, Single-Mode, 20km, Tx 1310nm, Rx 1550nm) to 10/100TX converter w/ LLF function
- **CM-011A-WDM15.....P/N: 8421-189**  
WDM fiber Modular converter, 100FX (100FX, SC, Single-Mode, 20km, Tx 1550nm, Rx 1310nm) to 10/100TX converter w/ LLF function
- **MC-116-RPS-P1AC.....P/N: 8420-010**  
16 Slots Universal Media Converter Rack19-inch (2U), with 1 AC power
- **MC-116-RPS-P1DC.....P/N: 8420-009**  
16 Slots Universal Media Converter Rack19-inch (2U), with 1 DC power
- **MC-116-RPS-AC POWER...P/N: EOTH000672**  
Slide-in AC Power Module for MC-116-RPS
- **MC-116-RPS-DC-POWER...P/N: EOTH000671**  
Slide-in DC Power Module for MC-116-RPS

**Lantech Communications Global Inc.**  
www.lantechcom.tw  
info@lantechcom.tw

© 2022 Copyright Lantech Communications Global Inc. all rights reserved.  
The revise authority rights of product specifications belong to Lantech Communications Global Inc.  
Lantech may make changes to specification and product descriptions at anytime, without notice.