

ANT11000042

LTE US type antenna

Specifications

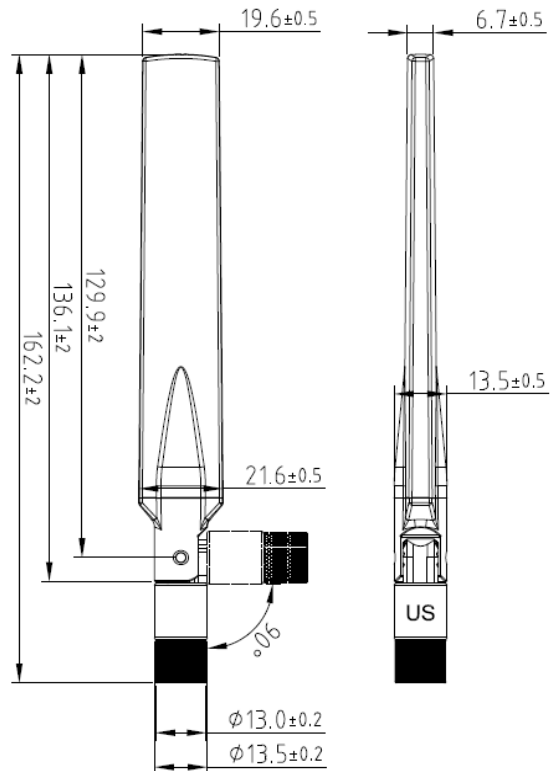
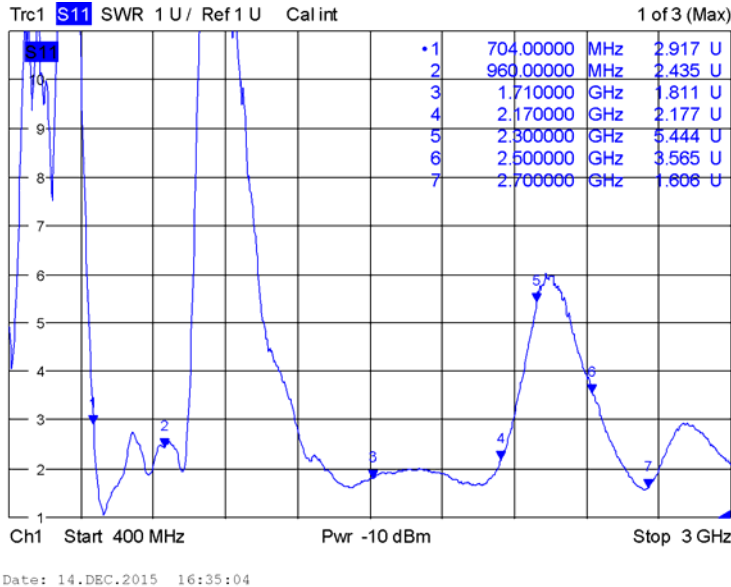
Frequency (MHz)	704 – 960	1710-2170
Peak gain(dBi)	2.2	3
Average gain (dBi)	-2	0.5
VSWR	3.5 : 1 Max.	3.0 : 1 Max.
Polarization	Linear, vertical	
Impedance	50 Ω	
Connector	SMA PLUG	

Environment & Mechanical Characteristics

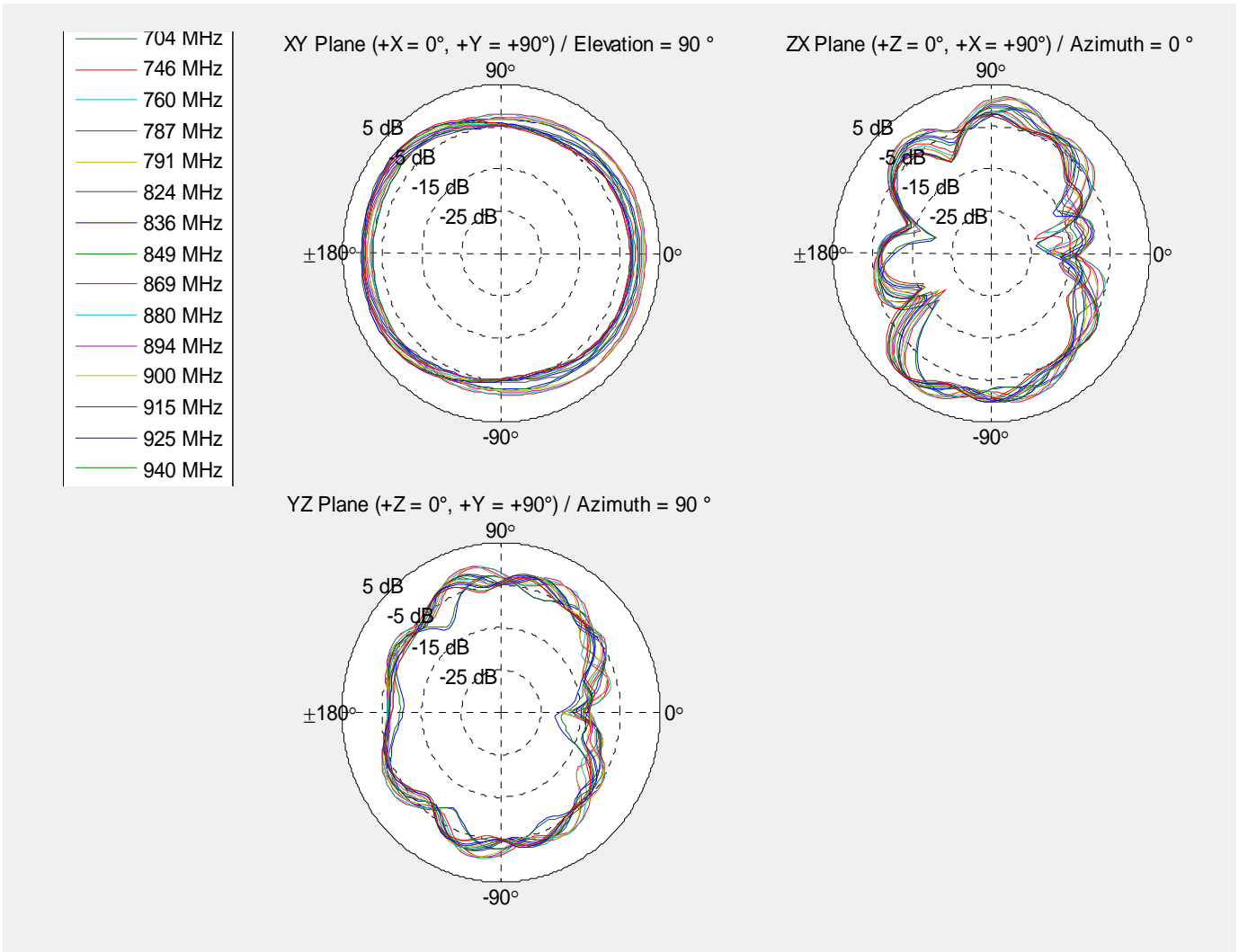
Temperature	- 10°C to +55°C
Humidity	95% @ 25°C



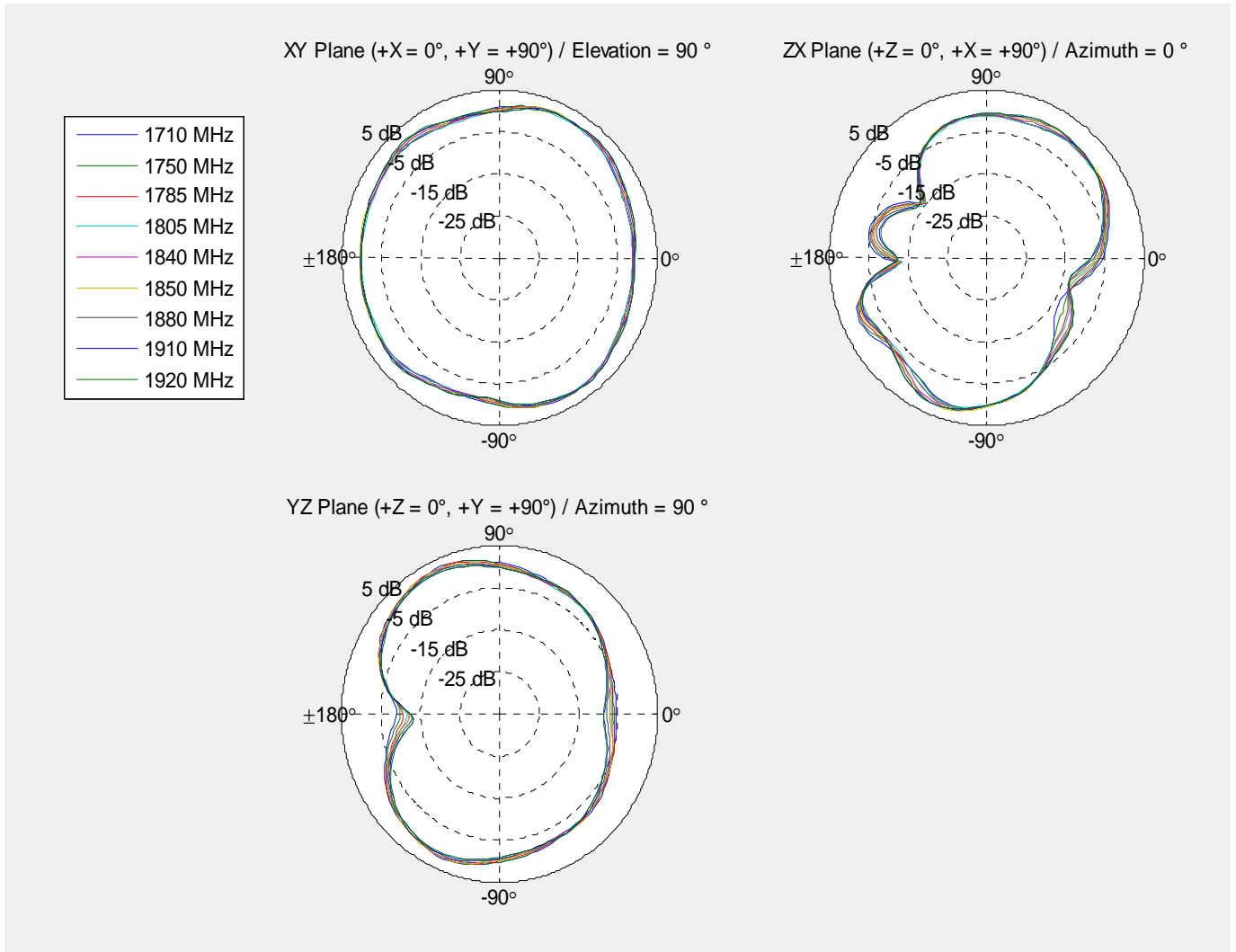
VSWR



Radiation Pattern



Radiation Pattern



Radiation Pattern

