

ANT11000041

LTE EU type antenna

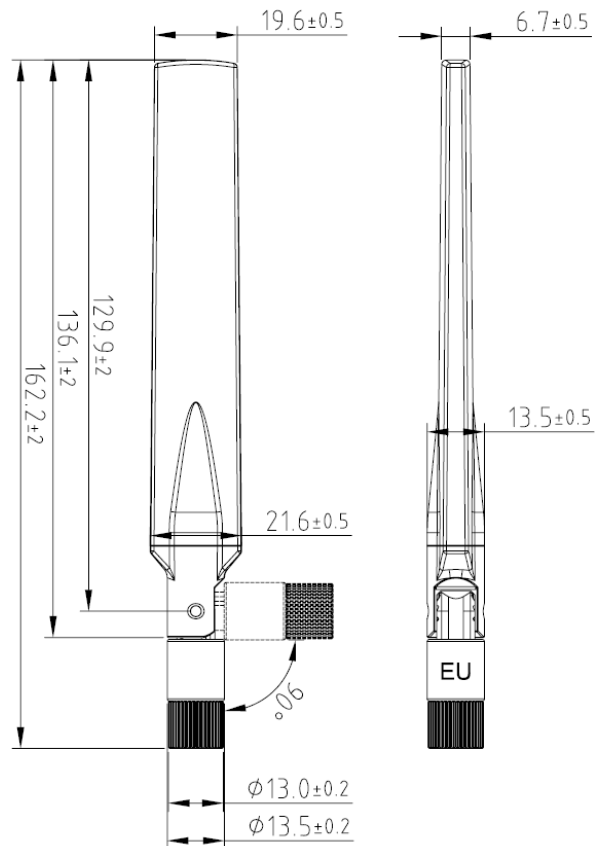
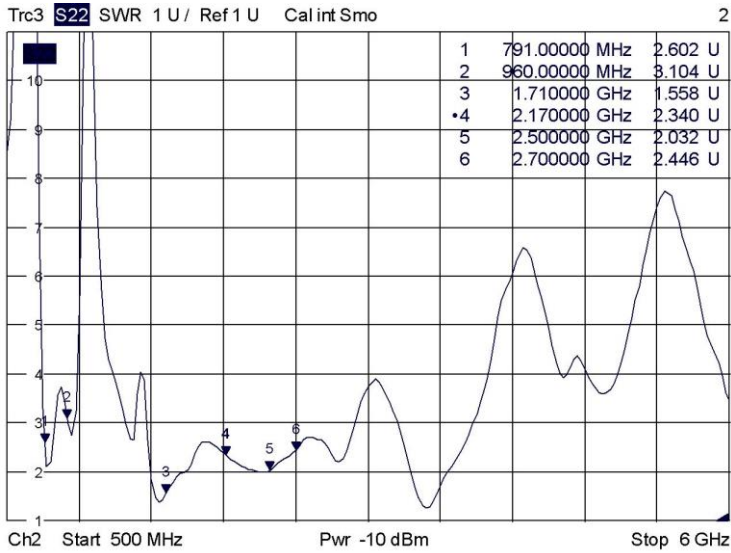
Specifications

Frequency (MHz)	791~960	1710~2170	2500~2700
Peak gain(dBi)	-1.29~0.35	1.15~3.18	2.98~3.79
Average gain (dBi)	-2.5~-1.26	-0.94~1.14	1.37~1.93
VSWR	4.0 : 1 Max.	3.0 : 1 Max.	3.0 : 1 Max.
Polarization	Linear, vertical		
Impedance	50 Ω		
Connector	SMA PLUG		

Environment & Mechanical Characteristics

Temperature	- 10°C to +55°C
Humidity	95% @ 25°C

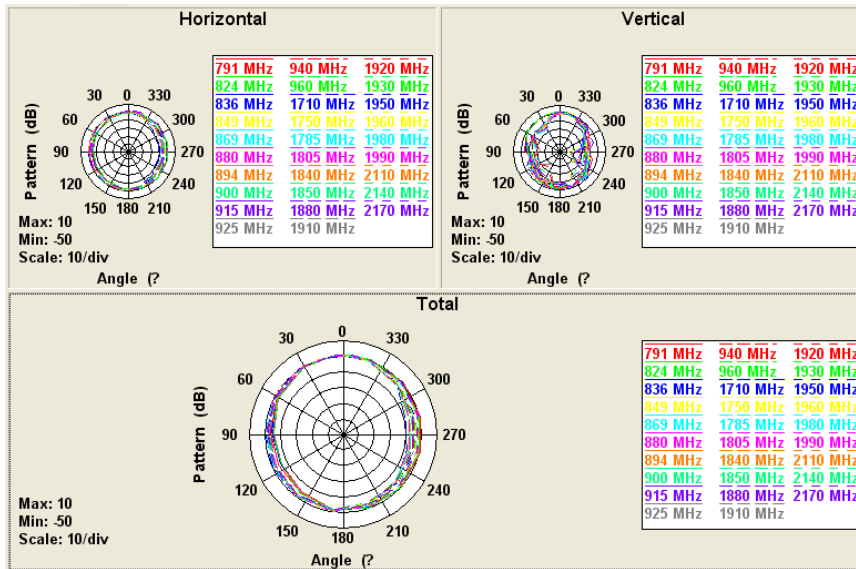
VSWR



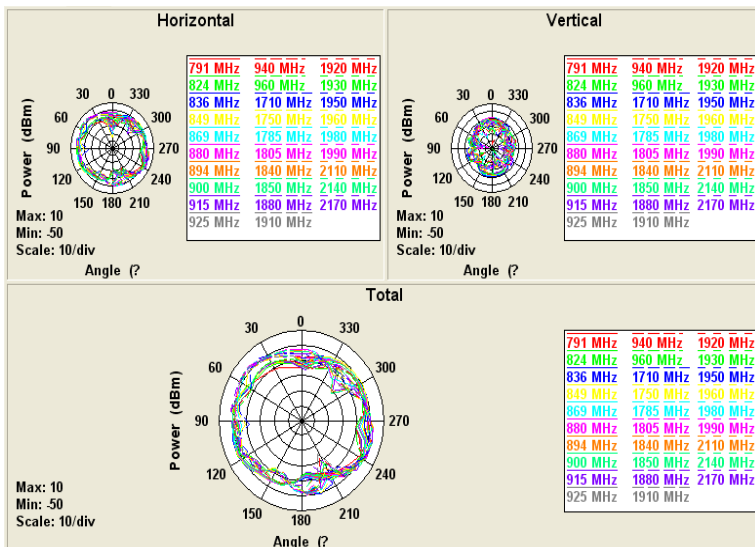
Radiation Pattern

791~960/1710~2170MHz

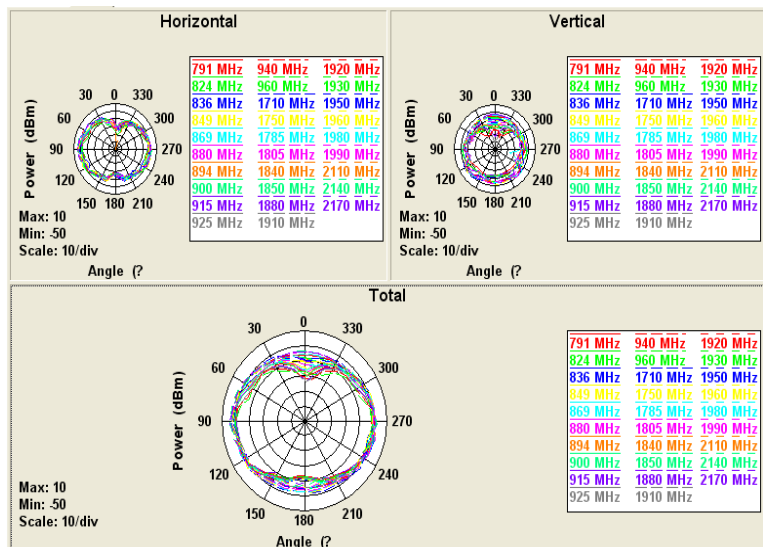
XY-plane



YZ-plane



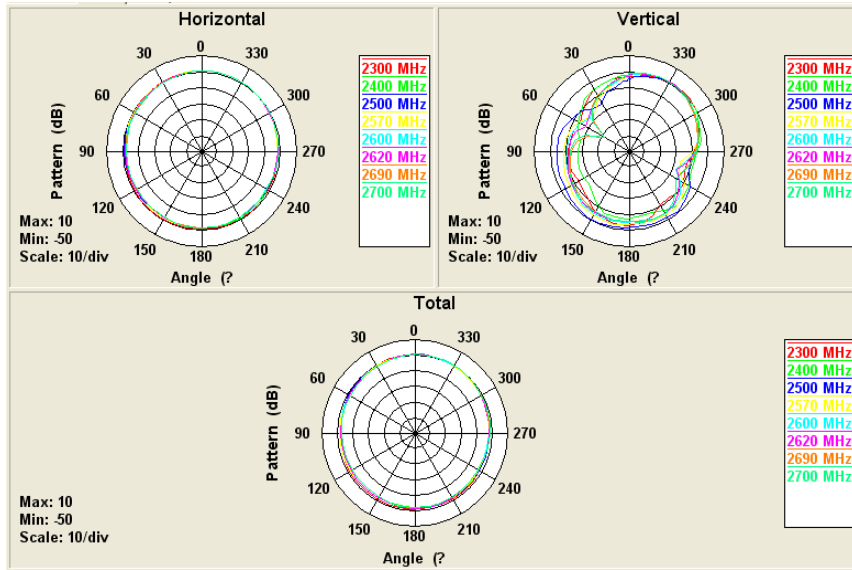
ZX-plane



Radiation Pattern

2500~2700MHz

XY-plane



YZ-plane

ZX-plane

