

L-Key

Configuration backup and restoration tool for managed switches

- *Plug-n-Play system for quick backup and restoration*
- *Low power design*
- *Two selective models available: RJ-45 or M12 connector*
- *Easy and convenient to load system configuration*



OVERVIEW

Lantech L-Key is a configuration backup and restoration tool for managed switches. By connecting RS232 console port of a managed switch, users can save, load, or setup configuration to the managed switch via the embedded web server. L-Key is compact in size, providing an easy solution to back up the system parameters of a switch. With IP-40 enclosure, L-Key is a

reliable choice for backup and restoration as well. L-Key also allows users to replace an existing switch with a new switch. When a switch failure occurs, users can quickly re-install system configuration to the switch and recover the entire configuration of the system as well, including IP address.

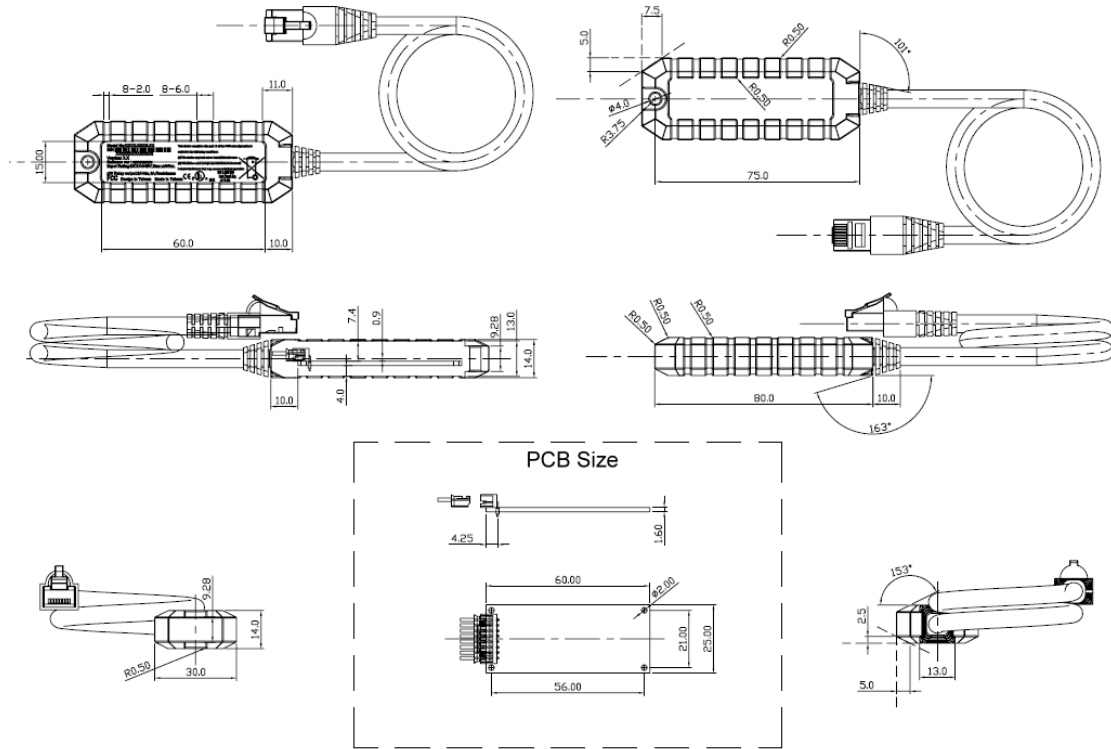
FEATURES & BENEFITS

- **Plug-n-Play system without further installation**
- **Quickly backup and restore configuration**
- **Two selective models available: RJ-45 or M12 connector**
- **Low-power design**
- **Load the system configuration automatically after system reboot**
- **CE, FCC certification**

SPECIFICATION

Connector	RS-232 (RJ-45 type / M12, 8-pole A-coded, Male)
Configuration	Via web console of managed switch
Memory Size	64Kbyte
Enclosure	PVC molding, IP40 protection
Dimensions	30 (W) x 90 (D) x 14(H) mm
Cable Length	35 cm (including connector)
Power Input	3 ~ 5 VDC (through RS-232)
Operating Temperature	0 ~ 60°C (32 ~ 113°F)
Storage Temperature	-40 ~ 70°C (-40 ~ 158°F)
Operating Humidity	5 ~ 95% (non-condensing)
Storage Humidity	0 ~ 95% (non-condensing)
EMC	CE, FCC Class A EN61000-4-2 (ESD) EN61000-4-3 (Radiated RFI) EN61000-4-4 (Burst) EN61000-4-5 (Surge) EN61000-4-6 (Induced RFI)
Warranty	2 years

DIMENSIONS (unit=mm)



ORDERING INFORMATION

- **L-Key (RJ-45 Type).....P/N: 8360-460**
Configuration backup and restoration tool for managed switches w/ RJ-45 connector
- **L-Key (M12 Type).....P/N: 8360-470**
Configuration backup and restoration tool for managed switches w/ M12 connector

Lantech Communications Global Inc.

www.lantechcom.tw
info@lantechcom.tw

© 2011 Copyright Lantech Communications Global Inc. all rights reserved.
The revise authority rights of product specifications belong to Lantech Communications Global Inc.
Lantech may make changes to specification and product descriptions at anytime, without notice.