

IWP-2000-68

Industrial 802.11 a/b/g IP68 Redundant Access Point w/MESH

- Dual Radio supports 802.11a and 802.11b/g simultaneously
- Supports PoE power input and forwarding
- Provides surge arrestor (90V/20KA)
- Supports 10 operating modes
- IP68 housing for highest grade of anti-dust and water/salty mist proof



OVERVIEW

Lantech IWP-2000-68 is an IEEE802.11 a/b/g Dual Radio Outdoor Multi-Function Wireless Access Point with Power over Ethernet (PoE) supported. Protected by IP68 rated metal housing, the IWP-2000-68 is able to sustain in the harshest industrial environments.

The IWP-2000-68 is able to operate as multi-function wireless system that included MESH, Point-to-Point/ Point-to-Multipoint Bridge, Access Point, Wireless Client, and Repeater, which

provides the flexibility in wireless network applications. The dual radio of IWP-2000-68 can be functioned dual band and maintain each radio up to 54Mbps data rate simultaneously on both directions.

Lantech IWP-2000-68 provides reliable and stable wireless network connection with security and SNMP management. It is one of the best wireless networking choices.

FEATURES & BENEFITS

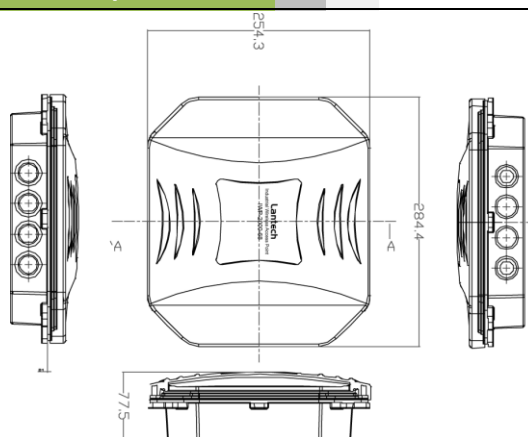
- **Dual Radio: Two Radio IEEE 802.11 a/b/g for backhaul and local access.** supports 802.11a and 802.11b/g simultaneously
- **Multi operating modes support: MESH_AP (OLSR), MESH_AP (AODV), AP-Bridge, AP-CB-Bridge, AP-CB-route, CB-CB- route, VLAN-AP , VLAN-AP, AP_WDS_BRG, AP4_WDS_BRG**
- **Bandwidth limitation**
- **Supports PoE power input and forwarding**
- **Provides surge arrestor (90V/20KA)**
- **Mac filtering / IP Filtering**
- **QoS (WMM) Enhance performance and density**
- **LLDP Link Layer Discovery Protocol**
- **Multiple SSID**
- **Supports WEP 64/128, WPA, WPA2 Authentication**
- **Supports SNMP V1/V2c/V3**
- **Supports STP/RSTP**
- **IP68 housing for highest grade of anti-dust and water/salty mist proof**

SPECIFICATION

Hardware Specification		Power Requirements	Active Ethernet (Power over Ethernet) 48 VDC/0.37 5A External Unit: Auto sensing 100/240 VAC; 50/60 Hz
Interface	1* RJ-45 Ethernet Port (for POE input) 1* RJ-45 Ethernet Port (for POE power forwarding)	Regulation Certifications	FCC/CE (pending), IP68
Flash	16M bytes	RF Information	
Memory	64 MB SDRAM	Output power (± 1.5dBm)	802.11a 24dBm@6Mps 22dBm@36Mps 21dBm@48Mps 20dBm@54Mps 802.11b 26dBm@11Mps 802.11g 26dBm@6-24Mps 25dBm@36Mps 24dBm@48Mps
Physical Dimensions	284(L)mm *251 (W)mm *67 (H)mm		
Weight	3000g		
Environmental Temperature Range	Operating: -30°C to 80°C Storage: -40°Cto 80°C		
Humidity (non-condensing)	5%~95% Typical		
Data Rates	802.11 b: 1, 2, 5.5, 11Mbps 802.11g: 6,9,12,18,24,36,48,54 Mbps 802.11a: 6,9,12,18,24,36,48,54 Mbps		
Standards	IEEE802.11 a/b/g, IEEE802.1x, IEEE802.3, IEEE802.3u, IEEE802.3af		

Sensitivity (Typical)	23dBm@54Mbps 802.11a -92dBm @ 6Mbps, -72dBm @ 54Mbps 802.11b -95dBm @ 1Mbps, -90dBm @ 11Mbps 802.11g -92dBm @ 6Mbps, -73dBm @ 54Mbps	AP Scan	Rogue AP Scan
Networking Information		STP/RSTP	STP/RSTP
Topology	Ad-Hoc, Infrastructure	QOS	WMM
Operation Mode	MESH_AP (OLSR), MESH_AP (AODV), AP-Bridge, AP-CB-Bridge, AP-CB- route, CB-CB- route, VLAN-AP , WDS (Repeater)	Mac Filter	Setting 15 Mac Address
SSID	Multiple SSID	Bandwidth limitation	Traffic shaping by IP for each client in Route mode only 30 list
Interface	One 10/100Mbps RJ-45 LAN Port	Management Features	
Security	<ul style="list-style-type: none"> IEEE802.1x / RADIUS Client (TTLS, PEAP) Support in AP Mode IEEE802.1x Supplicant (TTLS, PEAP) support in Client Bridge Mode WPA-WiFi Protected Access WPA2 (802.11i) WEP 64,128 bits MAC address filtering Layer2 Isolation VLAN tunneling Support Hide SSID 	IP Auto-configuration	DHCP client/ server
LLDP	Link Layer Discovery Protocol	SNMP	V1/V2c/V3
		NTP server	Support NTP client
		Remote Configuration	<ul style="list-style-type: none"> Web-based configuration (HTTP) Telnet
		Firmware Upgrade	Upgrade firmware via WEB and TFTP/FTP
		Max Client	32 users (simultaneously) per radio
		Network Management	Lantech-View Pro
		Warranty	5 years

DIMENSIONS (unit=mm)



ORDERING INFORMATION

- **IWP-2000-68.....P/N: 8810-888**
Industrial 802.11 a/b/g IP68 Redundant Access Point w/MESH

OPTIONAL ACCESSORIES

DIN Rail Power

- **AD1048-24FS** 24VDC, 2A, Wide AC Input, Convection Cooled, DIN Rail or Wall Mounted, RoHS, Operating Temp. -20°C~50°C (ambient, derating each output at 2.5% per degree from 50°C ~ 75°C, which means the output is 18 Watts at 75°C.)
- **AD1024-24F** 24VDC, 1A, Wide AC Input, Convection Cooled, DIN Rail or Wall Mounted, RoHS, Operating Temp. -20°C~50°C (ambient, derating each output at 2.5% per degree from 50°C ~ 75°C, which means the output is 9 Watts at 75°C.)
- **AD1240-48S** 48VDC, 5A, Wide AC Input, Build-in fan Cooled, DIN Rail or Wall Mounted, RoHS, Operating Temp. -20°C~50°C (ambient, derating each output at 2.5% per degree from 50°C ~ 70°C)
- **AD1120-48F** 48VDC, 2.5A, Wide AC Input, Build-in fan Cooled, DIN Rail or Wall Mounted, RoHS, Operating Temp. -20°C~50°C (ambient, derating each output at 2.5% per degree from 50°C ~ 70°C)

Lantech Communications Global Inc.

www.lantechcom.tw
info@lantechcom.tw

© 2011 Copyright Lantech Communications Global Inc. all rights reserved.
The revise authority rights of product specifications belong to Lantech Communications Global Inc.
Lantech may make changes to specification and product descriptions at anytime, without notice.